

GAS SPRING ATTACHING BRACKET

ガススプリング取付用ブラケット

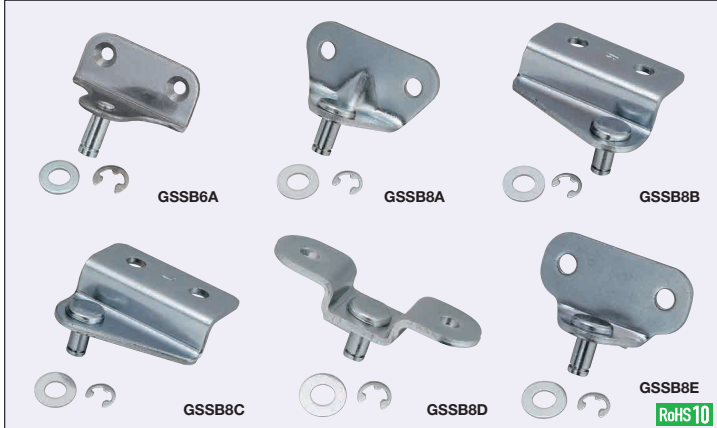
-GSSF/GSSシリーズ対応タイプ-

価格改訂

■ : 値下げ価格
□ : 新価格
○ : スライド値引率変更

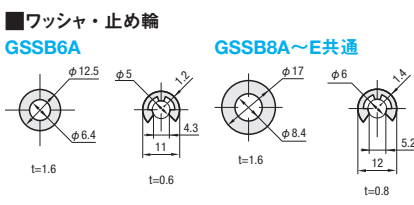
CADデータフォルダ名: 37_Springs

■特長: GSSFシリーズとGSSシリーズ対応のブラケットです。ワッシャ1枚と止め輪1枚が付属しています。

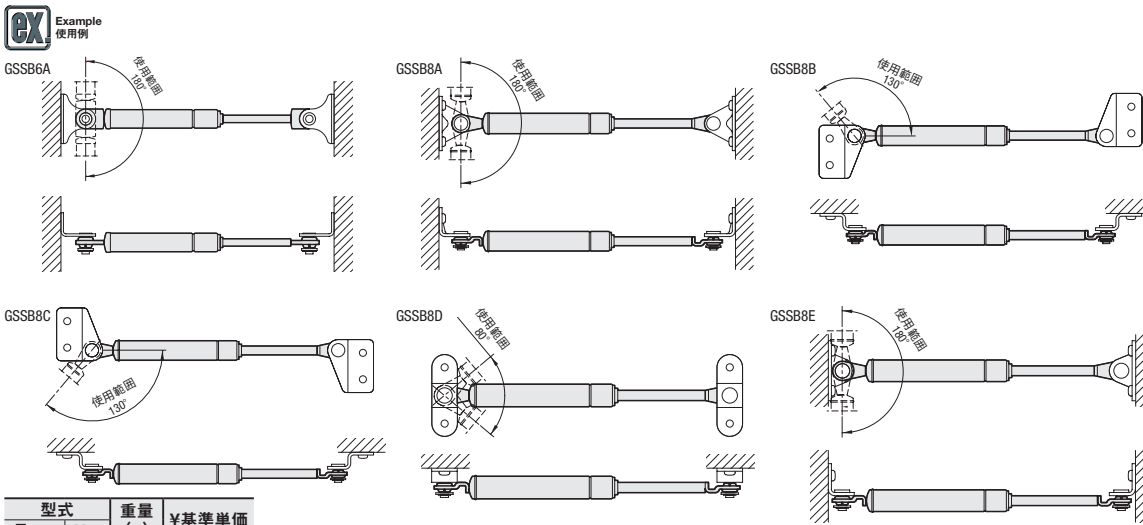
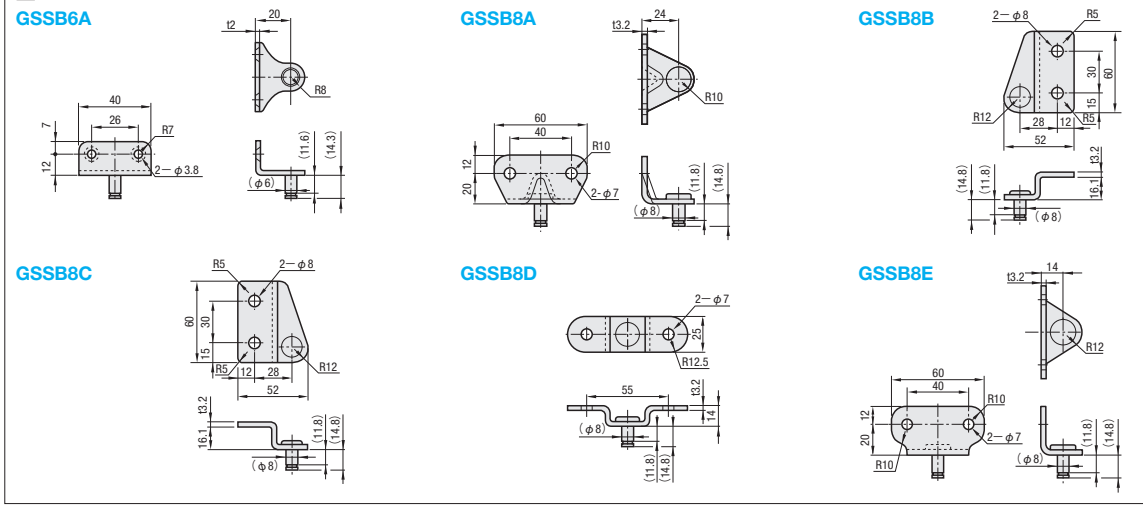


| 型式 | 対応シリーズ | |
|----------|--------|-------|
| GSSB6A | GSSF15 | GSS15 |
| GSSB8A~E | GSSF18 | GSS18 |
| | GSSF22 | GSS22 |

| 部品 | 材質 | | S表面処理 |
|-------|--------|----------|---------|
| | GSSB6A | GSSB8A~E | |
| ブラケット | SUS430 | SPHC | 三価クロメート |
| ピン | S35C | | |
| ワッシャ | SPHC | | |
| 止め輪 | SK5 | | |



■ブラケット・ピン



| 型式 | 重量 (g) | ¥基準単価 |
|----------|--------|-------|
| Type No. | | |
| 6A | 20 | 660 |
| 8A | | |
| 8B | | |
| 8C | | |
| 8D | | |
| 8E | | |

Order 注文例: 型式 GSSB8A, Delivery 出荷日 3 日日出荷, Price 価格

■数量スライド価格 (1円未満切り捨て) P133

| 数量区分 | 標準対応 | 個別対応 |
|------|-------|-------|
| 数量 | 1~9 | 10~14 |
| 値引率 | 5% | 7% |
| | 15~50 | 51~ |
| | | お見積り |

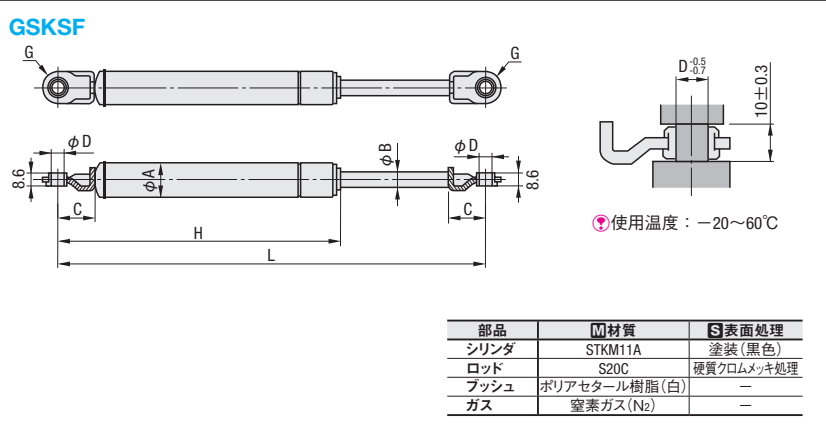
※表示数量超えはWOSにてご確認ください。

新商品

GAS SPRINGS -FREE ATTACHING DIRECTION TYPE-

ガススプリング

-取付方向自在タイプ-



| Type | No. | 最大長 Lmax | 最小長 Lmin | ストローク | ガス反力 (20℃) | | | | | A | B | C | D | G | H | 適合取付ブラケット | 重量 (g) | ¥基準単価 | | | | | | | | | | |
|-----------|-----------|----------|----------|-------|------------------|-------|--------------------|-------|------|------|-----|-------|--------|--------|-------|-----------|--------|-------|-------|--------|-------|--------|-------|-------|--|--|--|--|
| | | | | | Lmax-10mm ストローク時 | | Lmax-(S) mm ストローク時 | | | | | | | | | | | | | | | | | | | | | |
| | | | | | N | kgf | N | kgf | (S) | | | | | | | | | | | | | | | | | | | |
| GSSB6A | 14050-30 | 181 | 131 | 50 | 27 | 2.8 | 35 | 3.6 | 40 | 14 | 7 | 15 | 6.5 | R8 | 110 | GSSB6A | 83 | 1,960 | | | | | | | | | | |
| | 85 | | | | 8.7 | 109 | 11.1 | 82 | | | | | | | | | 1,960 | | | | | | | | | | | |
| | 147 | | | | 15.0 | 189 | 19.3 | 82 | | | | | | | | | 1,960 | | | | | | | | | | | |
| | 186 | | | | 19.0 | 239 | 24.4 | 83 | | | | | | | | | 1,960 | | | | | | | | | | | |
| | 206 | | | | 21.0 | 264 | 26.9 | 83 | | | | | | | | | 1,960 | | | | | | | | | | | |
| | 14070-90 | 221 | 151 | 70 | 81 | 8.3 | 109 | 11.1 | 60 | | | | | | | | 94 | 2,030 | | | | | | | | | | |
| | 14070-105 | | | | 104 | 10.6 | 124 | 12.6 | 41.5 | | | | | | | | 94 | 2,020 | | | | | | | | | | |
| | 14070-110 | | | | 107 | 10.9 | 144 | 14.7 | 119 | | | | | | | | 2,230 | | | | | | | | | | | |
| | 14070-200 | | | | 196 | 20.0 | 258 | 26.3 | 130 | | | | | | | | 96 | 2,050 | | | | | | | | | | |
| | 14090-70 | | | | 69 | 7.0 | 95 | 9.7 | 109 | | | | | | | | 2,050 | | | | | | | | | | | |
| | 14090-80 | 261 | 171 | 90 | 79 | 8.1 | 109 | 11.1 | 80 | | | | | | | | 18 | 8 | 15 | R8 | 150 | GSSB8A | 108 | 2,050 | | | | |
| | 14090-90 | | | | 88 | 9.0 | 122 | 12.4 | | | | | | | | | | | | | | | 109 | 2,050 | | | | |
| | 14090-150 | | | | 147 | 15.0 | 203 | 20.7 | | | | | | | | | | | | | | | 108 | 2,050 | | | | |
| | 14090-200 | | | | 196 | 20.0 | 271 | 27.6 | | | | | | | | | | | | | | | 107 | 2,050 | | | | |
| | 14100-80 | | | | 76 | 7.8 | 106 | 10.8 | | | | | | | | | | | | | | | 114 | 2,080 | | | | |
| | 14100-110 | 281 | 181 | 100 | 110 | 11.2 | 153 | 15.6 | 90 | | | | | | | | | | | | | | 112 | 2,050 | | | | |
| | 14100-200 | | | | 196 | 20.0 | 273 | 27.8 | 113 | | | | | | | | | | | | | | 2,080 | | | | | |
| | 18090-270 | | | | 261 | 26.8 | 332 | 33.9 | 80 | | | | | | | | | | | | | | 141 | 2,100 | | | | |
| | 18100-330 | | | | 281 | 28.1 | 411 | 41.9 | 90 | | | | | | | | | | | | | | 149 | 2,140 | | | | |
| | 18110-220 | | | | 380 | 38.0 | 472 | 47.2 | 100 | | | | | | | | | | | | | | 200 | 2,240 | | | | |
| 18150-270 | 475 | 325 | 150 | 267 | 27.2 | 348 | 35.5 | 140 | 22 | 10 | 8.5 | R10 | 240 | GSSB8A | 252 | 2,240 | | | | | | | | | | | | |
| 18150-380 | | | | 374 | 38.1 | 487 | 49.7 | | | | | | | | 295 | 252 | | | | | | | 2,240 | | | | | |
| 22080-200 | | | | 196 | 20.0 | 233 | 23.8 | | | | | | | | 70 | 212 | | | | | | | 2,110 | | | | | |
| 22080-250 | | | | 246 | 25.1 | 292 | 29.8 | | | | | | | | 170 | 215 | | | | | | | 2,130 | | | | | |
| 22096-400 | | | | 306 | 30.6 | 400 | 40.0 | | | | | | | | 86 | 181 | | | | | | | 230 | 2,150 | | | | |
| 22100-430 | 375 | 37.5 | 490 | 49.0 | 90 | 246 | 267 | 2,160 | | | | | | | | | | | | | | | | | | | | |
| 22142-310 | 472 | 47.2 | 624 | 62.4 | 125 | 301 | 322 | 2,350 | | | | | | | | | | | | | | | | | | | | |
| 22147-150 | 147 | 14.7 | 191 | 19.1 | 130 | 236 | 289 | 2,320 | | | | | | | | | | | | | | | | | | | | |
| 22147-240 | 412 | 41.2 | 545 | 54.5 | 140 | 290 | 2,320 | | | | | | | | | | | | | | | | | | | | | |
| 22150-350 | 464 | 46.4 | 618 | 61.8 | 140 | 285 | 319 | 2,360 | | | | | | | | | | | | | | | | | | | | |
| 22200-490 | 600 | 60.0 | 792 | 79.2 | 190 | 371 | 424 | 2,260 | | | | | | | | | | | | | | | | | | | | |
| 22200-540 | 634 | 63.4 | 845 | 84.5 | 190 | 424 | 2,260 | | | | | | | | | | | | | | | | | | | | | |
| 22235-150 | 580 | 344.5 | 235.5 | 141 | 14.4 | 177 | 18.1 | 206 | | | | | | | 315.5 | 24 | 8.5 | R10 | 315.5 | GSSB8A | 386 | 2,030 | | | | | | |
| 22235-250 | | | | 248 | 25.3 | 311 | 31.7 | | | | | | | | | | | | | | 387 | 2,300 | | | | | | |
| 22235-350 | | | | 343 | 35.0 | 431 | 44.0 | | | | | | | | | | | | | | 385 | 2,290 | | | | | | |
| 22235-510 | | | | 507 | 51.7 | 637 | 65.0 | | | | | | | | | | | | | | 389 | 2,340 | | | | | | |
| 22243-220 | | | | 214 | 21.8 | 273 | 27.8 | | | | | | | | | | | | | | 424 | 2,360 | | | | | | |
| 22243-480 | 472 | 48.1 | 603 | 61.5 | 424 | 2,360 | | | | | | | | | | | | | | | | | | | | | | |
| 22270-380 | 670 | 67.0 | 891 | 89.1 | 240 | 437 | 2,420 | | | | | | | | | | | | | | | | | | | | | |
| 22270-560 | 853 | 85.3 | 1124 | 112.4 | 240 | 441 | 2,420 | | | | | | | | | | | | | | | | | | | | | |
| 22356-220 | 833 | 476.5 | 356.5 | 216 | 22.0 | 280 | 28.6 | 350 | 25.4 | 12.5 | 20 | 374.5 | GSSB8B | 525 | | | | | | | 2,630 | | | | | | | |
| 22356-350 | | | | 345 | 35.2 | 447 | 45.6 | | | | | | | 527 | | | | | | | 2,630 | | | | | | | |
| 26300-820 | | | | 812 | 82.8 | 1100 | 112.2 | | | | | | | 661 | | | | | | | 2,460 | | | | | | | |
| 26300-930 | | | | 927 | 94.6 | 1256 | 128.1 | | | | | | | 665 | | | | | | | 2,460 | | | | | | | |
| | | | | | | | | | | | | | | | | | | | | | | | | | | | | |

Order 注文例: 型式 GSKSF15050-150, Delivery 出荷日 3 日日出荷, Price 価格

■数量スライド価格 (1円未満切り捨て) P133

| 数量区分 | 標準対応 | | | | 個別対応 |
|------|------|-------|-------|-------|------|
| | 小口 | 大口 | 小口 | 大口 | 小口 |
| 数量 | 1~9 | 10~14 | 15~19 | 20~50 | 51~ |
| 値引率 | 5% | 10% | 18% | お見積り | お見積り |

※表示数量超えはWOSにてご確認ください。

37 各種ガススプリング取付用ブラケット