

FLOATING JOINTS CONNECTION TYPE - SEPARATE FEMALE TYPE · ROUND FEMALE TYPE - フローティングジョイント 簡易接続型 -[めねじ]シリンダコネクタ セパレートタイプ/円形タイプ



CADデータフォルダ名: 55_Cylinders

FLOATING JOINTS CONNECTION TYPE - STANDARD MALE TYPE - フローティングジョイント 簡易接続型 -[おねじ]シリンダコネクタ・ホルダセット/コネクタ単体



CADデータフォルダ名: 55_Cylinders

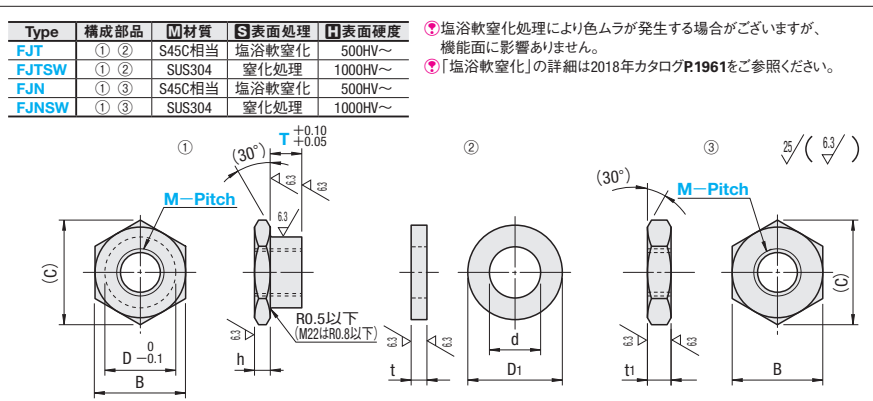


Table with columns for Type, M-Pitch, T, D, B, C, h, t, D1, d, and price columns for FJT, FJTSW, FJN, FJNSW. Includes a 'RoHS10' label.

Order form section for separate female type connectors, including '型式' (FJT6-1.0 - 10) and '数量スライド価格' table.

Delivery and pricing information for separate female type connectors, including '3 日目出荷' and 'Example 使用例'.

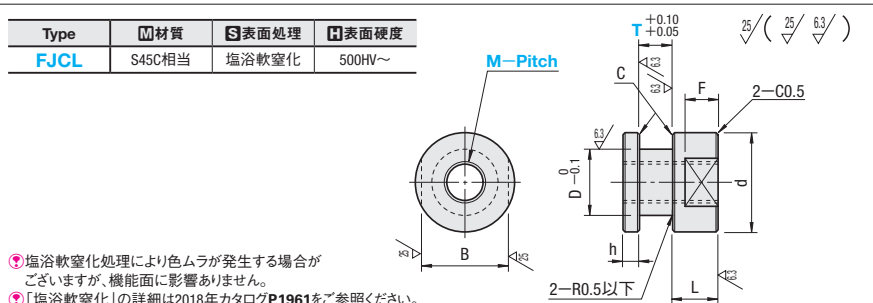


Table with columns for Type, M-Pitch, T, D, B, C, h, t, D1, d, and price columns for FJCL and corresponding holders (HLRA, HLRB, HLRC, HLRE).

Order form section for round female type connectors, including '型式' (FJCL6-1.0 - 8) and '数量スライド価格' table.

Delivery and pricing information for round female type connectors, including '2 日目出荷' and 'Example 使用例'.

■特長: 先端がめねじタイプのシリンダロッドにつなげる、シリンダコネクタです。

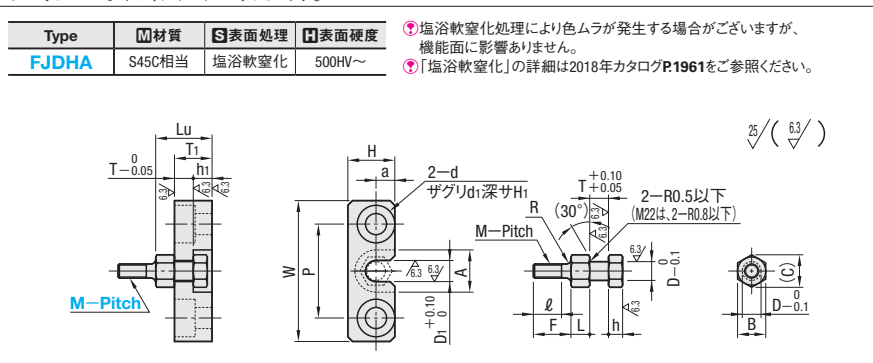


Table with columns for Type, M-Pitch, T, D, L, h, F, l, B, C, R, D1, A, T1, h1, W, H, a, P, d, d1, H1, Lu, and price columns for FJDHA and holders.

Order form and delivery information for standard male type connectors, including '型式' (FJDHA5-0.8) and '数量スライド価格' table.

Delivery and pricing information for standard male type connectors, including '2 日目出荷' and 'Example 使用例'.

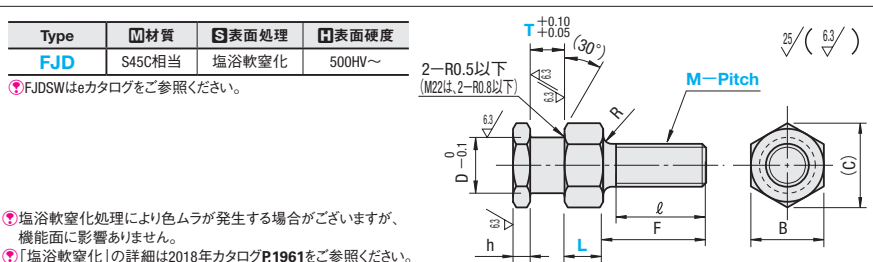


Table with columns for Type, M-Pitch, T, L, h, D, F, l, B, C, R, quality (g), and price columns for FJD and corresponding holders (HLRA, HLRB, HLRC, HLRE).

Order form and delivery information for standard male type connectors, including '型式' (FJD5-0.8 - 5) and '数量スライド価格' table.

Delivery and pricing information for standard male type connectors, including '2 日目出荷' and 'Example 使用例'.

Delivery and pricing information for standard male type connectors, including '2 日目出荷' and 'Example 使用例'.