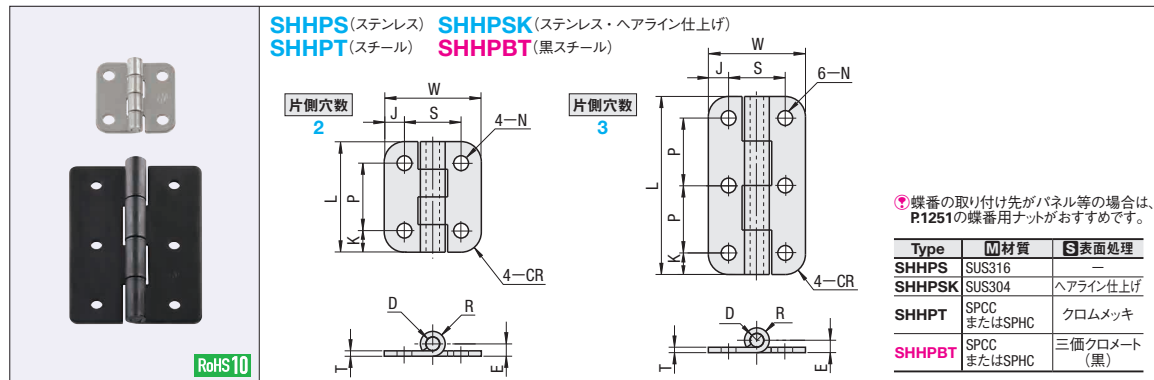




STAINLESS HINGES STEEL HINGES

ステンレス蝶番/スチール蝶番

CADデータフォルダ名: 49_Pulls

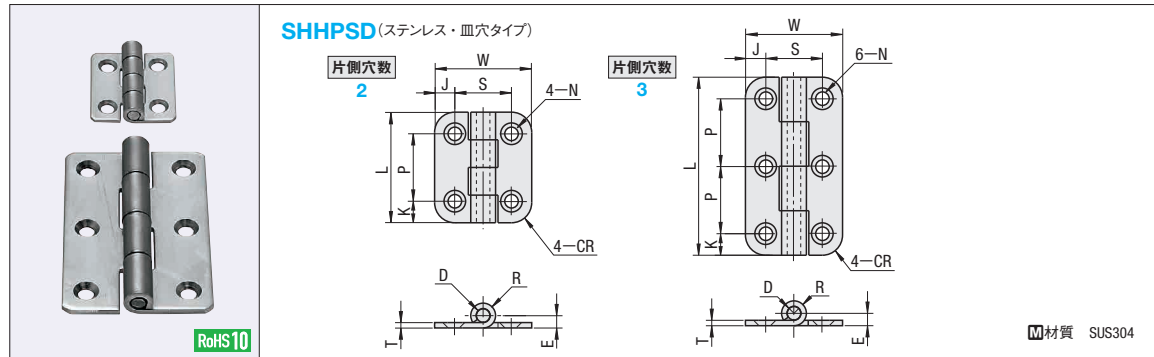


| 型式 Type | No. | 片側 穴数 | *許容荷重 | | 質量 g | L | W | K | P | J | S | N | T | E | R | CR | D | SHHPS | | SHHPSK | | | | | |
|-----------------|-----|----------|-------|-----|---------|-----|----|------|----|------|----|-----|---|-----|-----|-----|---|-----------|-------------|-----------|-------------|-------|-------|-------|-----|
| | | | kg | N | | | | | | | | | | | | | | ¥基準 単価 | ¥スライド 単価 | ¥基準 単価 | ¥スライド 単価 | | | | |
| SHHPS SHHPSK | 5 | 2 | 9 | 88 | 43 | 41 | 36 | 8 | 25 | 7.5 | 21 | 5.5 | 2 | 4.6 | 4.6 | 7.5 | 5 | 630 | 560 | 510 | 450 | | | | |
| | | 3 | 11 | 108 | 70 | 66 | | | | | | | | | | | | | | | | 980 | 880 | 690 | 620 |
| | | 2 | 12 | 117 | 60 | 48 | | | | | | | | | | | | | | | | 730 | 650 | 590 | 530 |
| | 6 | 2 | 15 | 147 | 98 | 78 | 48 | 9 | 30 | 8 | 32 | 6.5 | 3 | 5.6 | 5.6 | 10 | 6 | 1,030 | 920 | 750 | 670 | | | | |
| | | 3 | 25 | 245 | 130 | 59 | | | | | | | | | | | | | | | | 1,060 | 950 | 980 | 880 |
| | | 2 | 38 | 372 | 230 | 96 | | | | | | | | | | | | | | | | 1,500 | 1,350 | 1,100 | 990 |
| | 8 | 2 | 30 | 294 | 190 | 70 | 62 | 11 | 37 | 10 | 42 | 6.5 | 3 | 5.6 | 5.6 | 10 | 6 | 1,500 | 1,350 | 1,100 | 990 | | | | |
| | | 3 | 38 | 372 | 230 | 96 | | | | | | | | | | | | | | | | 1,500 | 1,350 | 1,100 | 990 |
| | | 2 | 40 | 392 | 325 | 113 | | | | | | | | | | | | | | | | 1,560 | 1,400 | — | — |
| | 845 | 2 | 30 | 294 | 190 | 70 | 80 | 13.5 | 43 | 16.5 | 47 | 6.5 | 3 | 5.6 | 5.6 | 10 | 6 | 1,500 | 1,350 | 1,100 | 990 | | | | |
| | | 3 | 40 | 392 | 325 | 113 | | | | | | | | | | | | | | | | 1,560 | 1,400 | — | — |

*許容荷重は2個使用の数値です。最大開閉角度は約270°になります。

| 型式 Type | No. | 片側 穴数 | *許容荷重 | | 質量 g | L | W | K | P | J | S | N | T | E | R | CR | D | SHHPT | | SHHPBT | | | | | |
|----------------------------|-----|----------|-------|-----|---------|-----|----|------|----|------|----|-----|---|-----|-----|----|---|-----------|-------------|-----------|-------------|-------|-----|-------|-----|
| | | | kg | N | | | | | | | | | | | | | | ¥基準 単価 | ¥スライド 単価 | ¥基準 単価 | ¥スライド 単価 | | | | |
| SHHPT SHHPBT (黒スチール) | 5 | 2 | 9 | 88 | 36 | 41 | 36 | 8 | 25 | 7.5 | 21 | 5.5 | 2 | 4.6 | 4.6 | 4 | 5 | 450 | 360 | 590 | 472 | | | | |
| | | 3 | 11 | 108 | 59 | 66 | | | | | | | | | | | | | | | | 665 | 530 | 805 | 644 |
| | | 2 | 12 | 117 | 50 | 48 | | | | | | | | | | | | | | | | 510 | 400 | 655 | 524 |
| | 6 | 2 | 15 | 147 | 83 | 78 | 48 | 9 | 30 | 8 | 32 | 6.5 | 3 | 3.2 | 6.5 | 5 | 6 | 695 | 550 | 840 | 672 | | | | |
| | | 3 | 25 | 245 | 124 | 59 | | | | | | | | | | | | | | | | 750 | 600 | 915 | 732 |
| | | 2 | 38 | 372 | 207 | 96 | | | | | | | | | | | | | | | | 1,020 | 810 | 1,185 | 948 |
| | 8 | 2 | 30 | 294 | 181 | 70 | 62 | 11 | 37 | 10 | 42 | 6.5 | 3 | 3.2 | 6.5 | 5 | 6 | 810 | 645 | 965 | 772 | | | | |
| | | 3 | 38 | 372 | 207 | 96 | | | | | | | | | | | | | | | | 1,020 | 810 | 1,185 | 948 |
| | | 2 | 40 | 392 | 298 | 113 | | | | | | | | | | | | | | | | 1,055 | 840 | 1,210 | 968 |
| | 845 | 2 | 30 | 294 | 181 | 70 | 80 | 13.5 | 43 | 16.5 | 47 | 6.5 | 3 | 3.2 | 6.5 | 5 | 6 | 810 | 645 | 965 | 772 | | | | |
| | | 3 | 40 | 392 | 298 | 113 | | | | | | | | | | | | | | | | 1,055 | 840 | 1,210 | 968 |

*許容荷重は2個使用の数値です。最大開閉角度は約270°になります。845の同一角数フレーム同士の平行接続は45°のみ可能です。ボルトとナットをセットで出荷する追加加工がございます。



| 型式 Type | No. | 片側 穴数 | *許容荷重 | | 質量 g | L | W | K | P | J | S | N | T | E | R | CR | D | SHHPSD | | | | |
|------------|-----|----------|-------|-----|---------|-----|----|------|----|------|----|-----|---------------|---|-----|-----|---|-----------|-------------|-----|-------|-------|
| | | | kg | N | | | | | | | | | | | | | | ¥基準 単価 | ¥スライド 単価 | | | |
| SHHPSD | 5 | 2 | 9 | 88 | 34 | 41 | 36 | 8 | 25 | 7.5 | 21 | 5.5 | 8.6 (M4用) | 2 | 4.6 | 4.6 | 4 | 5 | 500 | 475 | | |
| | | 3 | 11 | 108 | 56 | 66 | | | | | | | | | | | | | | | 780 | 740 |
| | | 2 | 12 | 117 | 49 | 48 | | | | | | | | | | | | | | | 580 | 550 |
| | 6 | 2 | 15 | 147 | 80 | 78 | 48 | 9 | 30 | 8 | 32 | 6.5 | 10.6 (M5用) | 3 | 6.1 | 6.1 | 5 | 6 | 820 | 780 | | |
| | | 3 | 25 | 245 | 111 | 59 | | | | | | | | | | | | | | | 845 | 800 |
| | | 2 | 38 | 372 | 185 | 96 | | | | | | | | | | | | | | | 1,200 | 1,140 |
| | 8 | 2 | 30 | 294 | 162 | 70 | 62 | 11 | 37 | 10 | 42 | 6.5 | 10.6 (M5用) | 3 | 6.1 | 6.1 | 5 | 6 | 950 | 900 | | |
| | | 3 | 38 | 372 | 185 | 96 | | | | | | | | | | | | | | | 1,200 | 1,140 |
| | | 2 | 40 | 392 | 266 | 113 | | | | | | | | | | | | | | | 1,245 | 1,180 |
| | 845 | 2 | 30 | 294 | 162 | 70 | 80 | 13.5 | 43 | 16.5 | 47 | 6.5 | 10.6 (M5用) | 3 | 6.1 | 6.1 | 5 | 6 | 950 | 900 | | |
| | | 3 | 38 | 372 | 185 | 96 | | | | | | | | | | | | | | | 1,200 | 1,140 |
| | | 2 | 40 | 392 | 266 | 113 | | | | | | | | | | | | | | | 1,245 | 1,180 |

*許容荷重は2個使用の数値です。

Order 注文例: 型式 SHHPS6 / SHHPSD6, 片側穴数 2 / 3

Delivery 出荷日: 在庫品 翌日出荷 P.133

数量区分: 小口 (1~100), 大口 (101~)

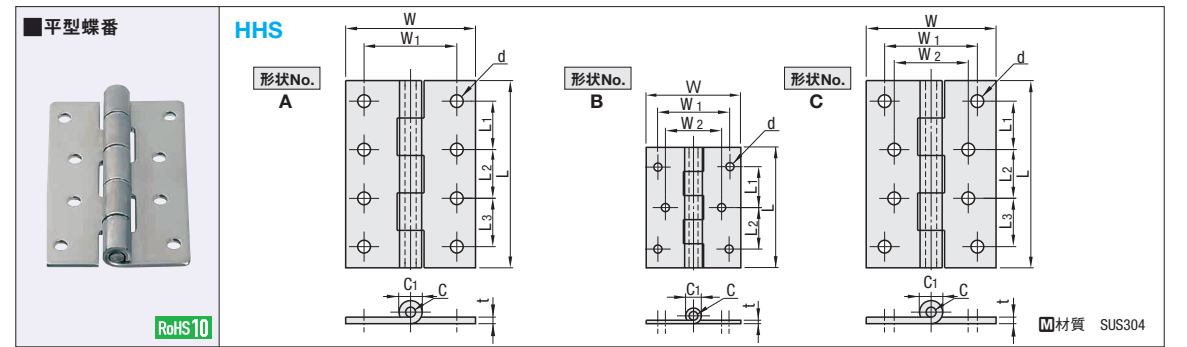
個別対応: 小口 (通常), 大口 (お見積り)

ご希望によりPM6:00迄、当日出荷受付致します。

表示数量超えはWOSにてご確認ください。

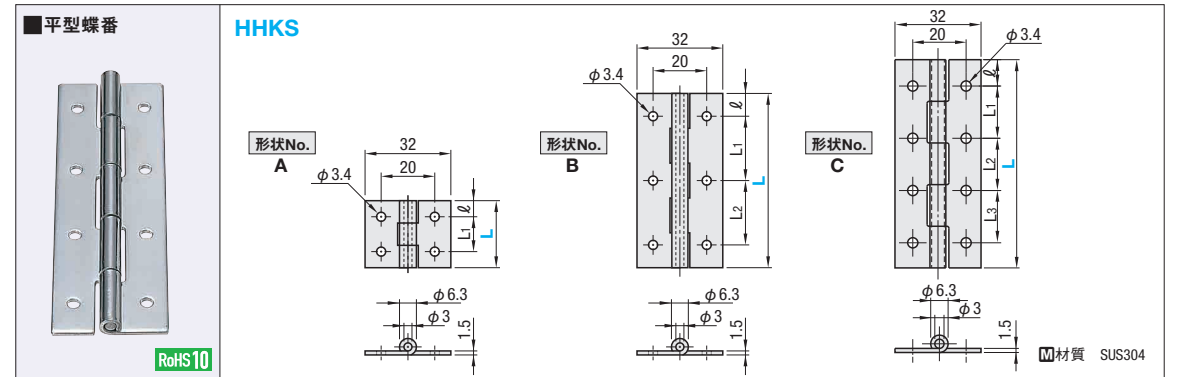
蝶番/蝶番用ナット

CADデータフォルダ名: 49_Pulls



| 型式 Type | No. | L | 形状 No. | W | W1 | W2 | L1 | L2 | L3 | C | C1 | t | d | 割数 | *許容荷重 (N) | 重量 (g) | ¥基準単価 | | ¥スライド単価 | | | | | | | | | | | |
|------------|------|-----|-----------|----|----|----|----|----|----|----|-----|------|-----|-----|--------------|-----------|-------|-------|---------|-----|------|----|----|------|-----|-----|-----|-----|-----|-----|
| | | | | | | | | | | | | | | | | | 1~19コ | 20~99 | 100 | | | | | | | | | | | |
| HHS | 25 | 25 | A | 20 | 12 | — | 16 | — | — | 2 | 3.8 | 0.8 | 3.4 | 3 | 9.8 | 6 | 137 | 130 | 123 | | | | | | | | | | | |
| | | | | | | | | | | | | | | | | | | | | 30 | 22 | 22 | 28 | 58.8 | 12 | 160 | 152 | 144 | | |
| | | | | | | | | | | | | | | | | | | | | 50 | 30 | 23 | 36 | 68.6 | 16 | 198 | 188 | 178 | | |
| | 65A | 65 | B | 50 | 30 | 30 | 22 | 22 | 22 | — | 4 | 8.5 | 2 | 4.5 | 5 | 127.4 | 25 | 274 | 260 | 246 | | | | | | | | | | |
| | | | | | | | | | | | | | | | | | | | | | 75A | 30 | — | 27 | 27 | 147 | 46 | 296 | 281 | 266 |
| | | | | | | | | | | | | | | | | | | | | | 75 | 36 | 30 | 26 | 26 | 147 | 46 | 296 | 281 | 266 |
| | 90A | 90 | A | 60 | 38 | — | 35 | 35 | 34 | — | 6 | 12.7 | 3 | 6.6 | 5 | 245 | 68 | 608 | 577 | 547 | | | | | | | | | | |
| | | | | | | | | | | | | | | | | | | | | | 90 | 46 | 36 | 34 | 245 | 68 | 608 | 577 | 547 | |
| | | | | | | | | | | | | | | | | | | | | | 100A | 38 | — | 26 | 26 | 26 | 294 | 100 | 661 | 627 |
| | 100A | 100 | C | 60 | 46 | 36 | — | 26 | 26 | 26 | 6 | 12.7 | 3 | 6.6 | 5 | 294 | 100 | 661 | 627 | 594 | | | | | | | | | | |

*許容荷重は2個使用の数値です。最大開閉角度は約275°になります。



| 型式 Type | L | 形状 No. | ℓ | L1 | L2 | L3 | 割数 | *許容荷重 (N) | 重量 (g) | ¥基準単価 | | ¥スライド単価 | | | | | | | | | | | |
|------------|----|-----------|----|----|----|----|----|--------------|-----------|-------|-------|---------|-----|-----|-----|----|----|------|-------|-----|-----|-----|-----|
| | | | | | | | | | | 1~19コ | 20~99 | 100 | | | | | | | | | | | |
| HHKS | 25 | A | 6 | 13 | — | — | 3 | 29.4 | 13 | 145 | 137 | 130 | | | | | | | | | | | |
| | | | | | | | | | | | | | 30 | 7 | 16 | — | — | 39.2 | 16 | 145 | 137 | 130 | |
| | | | | | | | | | | | | | 40 | 8 | 24 | — | — | 58.8 | 21 | 155 | 147 | 139 | |
| | 50 | B | 10 | 30 | — | — | — | 5 | 68.6 | 26 | 155 | 147 | 139 | | | | | | | | | | |
| | | | | | | | | | | | | | | 65 | 8.5 | 24 | 24 | — | 98.0 | 34 | 200 | 190 | 180 |
| | | | | | | | | | | | | | | 75 | 9.5 | 28 | 28 | — | 107.8 | 39 | 215 | 204 | 193 |
| | 90 | C | 10 | 35 | 35 | — | — | 5 | 127.4 | 47 | 235 | 223 | 211 | | | | | | | | | | |
| | | | | | | | | | | | | | | 90 | 10 | 35 | 35 | — | 127.4 | 47 | 235 | 223 | 211 |
| | | | | | | | | | | | | | | 100 | 11 | 26 | 26 | 26 | 147.0 | 52 | 250 | 237 | 225 |

*許容荷重は2個使用の数値です。最大開閉角度は約275°になります。

蝶番用ナット

HHST, HHKST

形状No. A, B, M

穴数 2, 3, 4

材質: SUS304

| 型式 Type | No. | 穴数 | B | A | P | M | 適用 蝶番 | ¥基準単価 1~9コ | ¥スライド単価 10~100 |
|------------|-----|----|----|----|----|---|----------|---------------|-------------------|
| HHST | 25 | 2 | 6 | 22 | 16 | 3 | HHS25 | 200 | 180 |
| | 30 | 2 | 6 | 28 | 22 | 3 | HHS30 | 230 | 210 |
| | 40 | 2 | 7 | 36 | 28 | 3 | HHS40 | 240 | 215 |
| | 50 | 2 | 7 | 45 | 36 | 4 | HHS50 | 240 | 215 |
| | 65 | 2 | 9 | 55 | 45 | 4 | HHS65 | 270 | 240 |
| | 75 | 2 | 11 | 65 | 55 | 5 | HHS75 | 280 | 250 |
| HHKST | 25 | 2 | 6 | 19 | 13 | 3 | HHKS25 | 200 | 180 |
| | 30 | 2 | 6 | 22 | 16 | 3 | HHKS30 | 230 | 205 |
| | 40 | 2 | 6 | 32 | 24 | 3 | HHKS40 | 240 | 215 |
| | 50 | 2 | 6 | 39 | 30 | 3 | HHKS50 | 240 | 215 |
| | 65 | 2 | 6 | 57 | 45 | 3 | HHKS65 | 270 | 240 |
| | 75 | 2 | 6 | 65 | 55 | 3 | HHKS75 | 280 | 250 |
| HHST | 90 | 2 | 12 | 82 | 35 | 6 | HHKS90 | 300 | 270 |
| | 90 | 2 | 12 | 90 | 26 | 6 | HHKS100A | 320 | 285 |
| | 90 | 3 | 6 | 25 | 24 | 3 | HHKS75 | 280 | 250 |
| | 90 | 3 | 6 | 28 | 28 | 3 | HHKS90 | 300 | 270 |
| HHKST | 65 | 2 | 6 | 57 | 24 | 3 | HHKS65 | 270 | 240 |
| | 75 | 2 | 6 | 65 | 28 | 3 | HHKS75 | 280 | 250 |
| HHKST | 90 | 2 | 6 | 79 | 35 | 3 | HHKS90 | 300 | 270 |
| | 100 | 2 | 6 | 87 | 26 | 3 | HHKS100 | 320 | 290 |

Example 使用例: 蝶番用ナット

Order 注文例: 型式 HHS100, HHKS100, HHST30, HHKST75

Delivery 出荷日: 在庫品 翌日出荷 P.133

数量区分: 小口 (1~100), 大口 (101~)

個別対応: 小口 (通常), 大口 (お見積り)

ご希望によりPM6:00迄、当日出荷受付致します。

表示数量超えはWOSにてご確認ください。

49 取手・蝶番