

BEARINGS WITH HOUSING -DOUBLE BEARING WITH RETAINING RING TYPE-

ベアリングホルダセット
-ダブル 止め輪付 L寸指定タイプ-

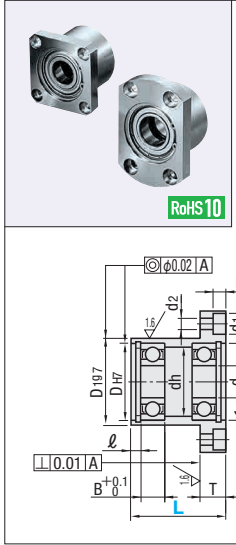
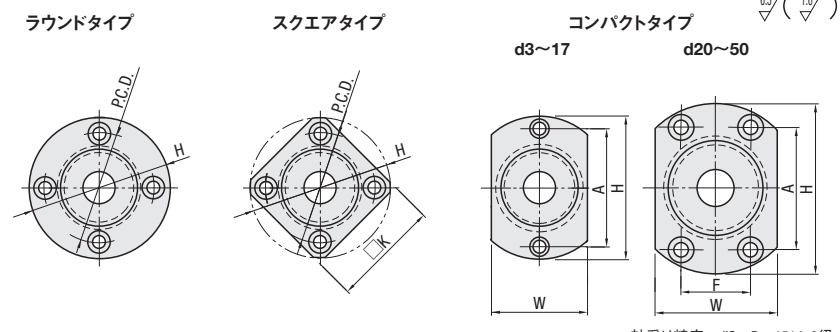


Table with columns: Type, 材質 (Material), 表面処理 (Surface Treatment), 付属品 (Accessories). Rows include Round type, Square type, and Compact type with various material and treatment options.



Main dimension table with columns: Type, 型式 (Model), シール (Seal), L (指定1mm単位), d, DH7, 許容差 (Tolerance), B, l, H, W, T, dh, D197, 許容差 (Tolerance), P.C.D., K, A, F, d1, d2, H1. It lists various model numbers and their corresponding dimensions.

*適用サイズは価格表でご確認ください。
*1 VV (非接触ゴムシール)は623番・624番・605番・606番は選択できません。
*2 ゴムシールベアリングは全てスチールです。

Order and Price information section. Includes 'Order 注文例' (Order example) showing model numbers like BGFRBB 6000 DD - 25. Includes 'Price 価格' (Price) section with a table for quantity discounts and delivery dates.

Delivery and CAD information section. Includes 'Delivery 出荷日' (Delivery date) with a table for lead times. Includes 'CADデータフォルダ名: 14_Bearings_with_Holder'. Also contains promotional text for stock and delivery options.

Price table for bearings. Columns: ベアリング品番 (Bearing part number), シール (Seal), ラウンドタイプ (Round type), スクエアタイプ (Square type), コンパクトタイプ (Compact type). Lists prices for various models and seal types.

Alteration and Example section. Includes 'Alteration 追加加工' (Alteration) and 'Example 使用例' (Example usage) with a technical drawing. Also includes a small table for alteration codes.