

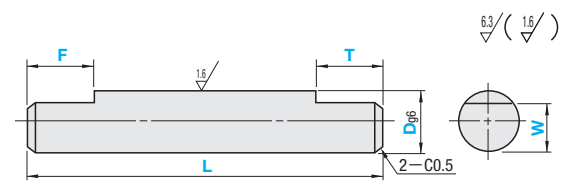


ROTARY SHAFTS - ROTATION PREVENTION TYPE-

回転軸 一回り止めタイプ



Table with columns: Type, Material, Surface Treatment. Lists NSFRV, SFRV, PSFRV, SSFRV with S45C and SUS304 materials and various surface treatments.



●搬送用ローラの回り止め用の軸としてご使用ください。
○真円度・真直度 P844

◎カタログ規格外品はこちら P.137

Main specification table for rotary shafts. Columns: Type, Form, Dg6, L (0.1mm unit), F・T, W (1mm unit). Rows include NSFRV, SFRV, PSFRV, and SSFRV with various sizes.

◎L>600の場合、両端加工部分が同一線上になりません。(最大で1°程度のスレが生じます)
◎L-(F+T)≧20の場合、反りが出る場合がございます。

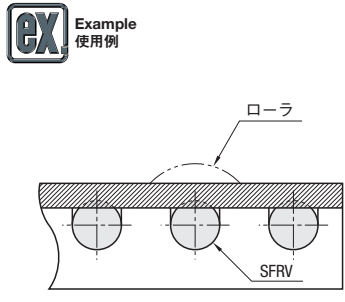
Order form section with fields for Type, L, F, T, W and a delivery date selector set to 3 days.

Price table showing quantity-based pricing for different shaft types and sizes.

Detailed dimension table for rotary shafts, listing various diameters and lengths for different material and treatment combinations.

Alteration section showing options for FC, WFC, SC, TA, TB, and LKC modifications.

Alteration specification table with columns for 1ヶ所, 2ヶ所, スパナ溝, 止め輪溝, and L寸法公差変更. Includes code, unit, and conditions.



◎他の追加加工と併用する場合、±2°の位相を生じることがあります。
◎キー溝複数加工・平面取複数加工は同一直線に行っておりますが、追加加工間の距離が500mmを超える場合、±2°の位相を生じることがあります。

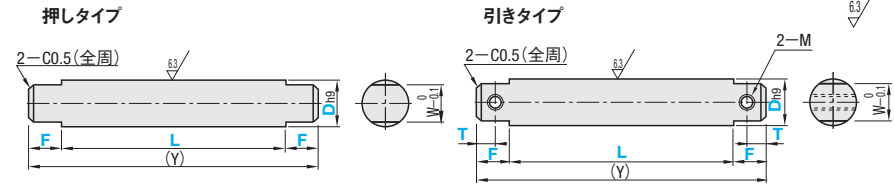


TENSION-LINED SHAFTS

テンション用軸 一押しタイプ・引きタイプ



Table with columns: Type, D公差, Material, Surface Treatment. Lists NSFMRPS, SFMRPL, PSFMRPL, SSFMRPL with S45C and SUS304 materials.



Dimension tolerance table for L, Y, and T dimensions.

Main specification table for tension shafts. Columns: Type, Dφ6, L, F, T, M (並目), W, (Y) max. Rows include NSFMRPS, SFMRPL, PSFMRPL, SSFMRPL.

◎L+2F≦(Y)

Order form section for tension shafts with fields for Type, L, F, T and a delivery date selector set to 3 days.

Price table for tension shafts showing quantity-based pricing.

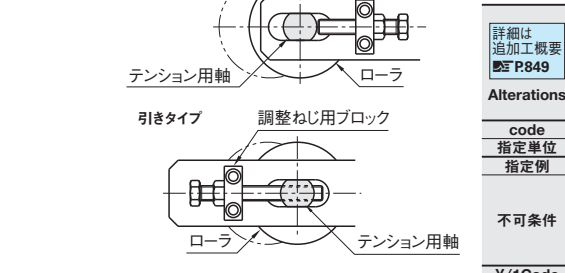
Delivery and stock information section with a 3-day delivery date and stock availability notes.

◎ストックA早割は1明細行当たり一律300円
◎ストックAは3本以上で1明細行当たり一律2,160円

Detailed dimension table for tension shafts, listing various diameters and lengths for different material and treatment combinations.

Detailed dimension table for tension shafts, listing various diameters and lengths for different material and treatment combinations.

Alteration section for tension shafts showing options for FC, WFC, SC, TA, TB, and LKC modifications.



Alteration section for tension shafts showing options for FC, WFC, SC, TA, TB, and LKC modifications.

Alteration specification table for tension shafts with columns for 1ヶ所, 2ヶ所, スパナ溝, 止め輪溝. Includes code, unit, and conditions.

◎他の追加加工と併用する場合、±2°の位相を生じることがあります。
◎キー溝複数加工・平面取複数加工は同一直線に行っておりますが、追加加工間の距離が500mmを超える場合、±2°の位相を生じることがあります。