



CIRCULAR POSTS -ONE SIDE MALE SCREW TYPE・ONE SIDE FEMALE SCREW TYPE-

円形支柱

一片端めねじ/片端おねじ

2日目納期短縮
出荷

大口対応
BIG ORDER

CADデータフォルダ名: 31_Posts

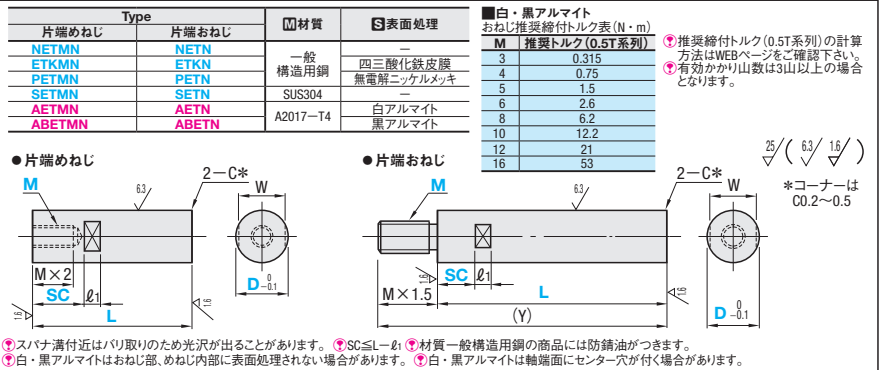


Table with columns for Type, D, L (指定0.1mm単位), SC (指定0.5mm単位), M (並目), W, l1. Includes sub-tables for '片端めねじ' and '片端おねじ' with various material options like NETMN, ETKMN, PETMN, etc.

Price and quantity tables. Includes '数量スライド価格' (Quantity slide price) and '白・黒アルマイト' (White/Black Aluminizing) options with corresponding price adjustments.

Price and quantity tables for '片端めねじ' (One-sided male thread) and '片端おねじ' (One-sided female thread) with detailed pricing for different lengths and materials.

Price and quantity tables for '片端おねじ' (One-sided female thread) with detailed pricing for different lengths and materials.

Delivery 2 日目出荷, 5 日目出荷. Includes notes about early shipping and pricing for bulk orders.

RESIN CIRCULAR POSTS -ONE SIDE FEMALE SCREW TYPE・FEMALE SCREW TYPE-

樹脂円形支柱

一片端めねじ/両端めねじ

カタログ規格外品はこちら P.137

CADデータフォルダ名: 31_Posts

本体(樹脂)にねじインサート加工してめねじ部を強化しています。

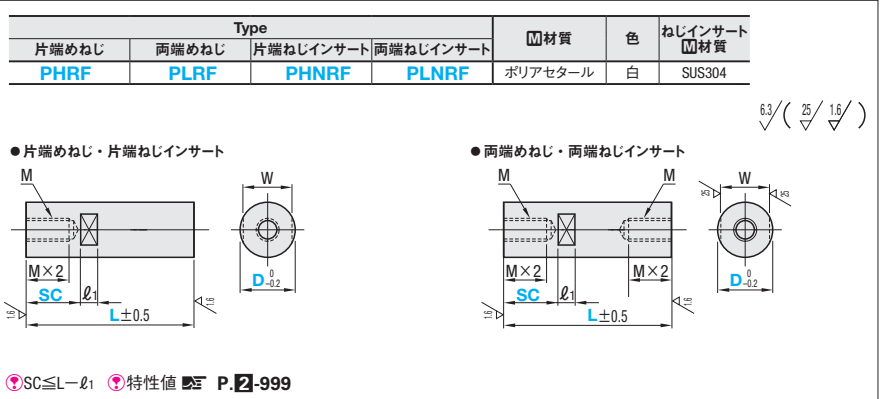
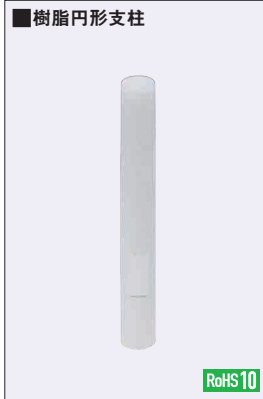


Table with columns for Type, D, L (指定1mm単位), SC (指定1mm単位), M (並目), W, l1. Includes sub-tables for '片端めねじ' and '片端おねじ' with resin material options like PHRF, PLRF, PHNRF, PLNRF.

Price and quantity tables for resin circular posts, including '数量スライド価格' and '白・黒アルマイト' options.

Price and quantity tables for resin circular posts with detailed pricing for different lengths and materials.

Price and quantity tables for resin circular posts with detailed pricing for different lengths and materials.

Price and quantity tables for resin circular posts with detailed pricing for different lengths and materials.

Delivery 2 日目出荷, 3 日目出荷. Includes notes about early shipping and pricing for bulk orders.

31 各種円形支柱