



HEXAGONAL POSTS -SPECIFIABLE SCREW TYPE-

六角支柱

一片端おねじ片端めねじ/両端おねじ ねじ径長さ指定



カタログ規格外品はこちら P.137 CADデータフォルダ名: 31_Posts

LKCとの併用によりL寸0.1mm単位での指定が可能になりました。



Table with columns for Type, Material, Surface Treatment, and Torque. Includes sub-tables for NLSBH, LSBH, PLSBH, SLSBH, ALSBH, ABLSBH and NLSBL, LSBL, PLSBL, SLSBL, ALSBL, ABLSBL.

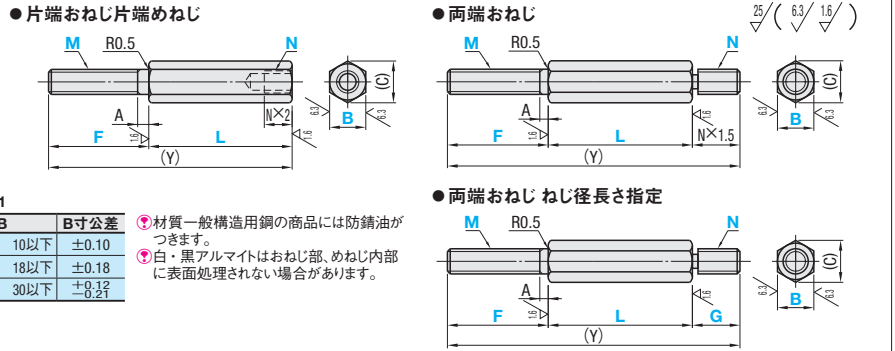


Table for tolerance (公差表) for general construction steel and A2011.

Notes regarding material, surface treatment, and torque specifications.

Main specification table with columns for Type, B, L, F, G, M, N, C, A. Lists various post types and their dimensions.

Notes regarding black aluminum material and L dimension specifications.

Order example table showing combinations of L, F, G, M, N.

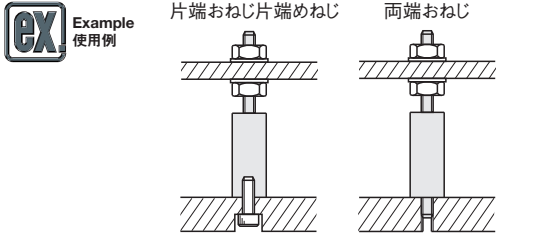
L dimension tolerance table (L寸公差表).

Order and delivery information: Order example, Delivery date (2 days).

Alteration information: Alteration example, LKC/FC/ND options.

Stock cutting information: Stock A early cutting, Stock B 3-day shipping.

Alterations table with columns for L dimension change, thread processing, and effective length change.



数量スライド価格 (1円未満切り捨て) P.133

Quantity sliding price table for standard and large sizes.

Long-term discount table (ストークL) for quantity and lead time.

片端おねじ片端めねじ

Price table for one-end thread, one-end nut posts.

両端おねじ

Price table for two-end thread posts.

両端おねじ ねじ径長さ指定

Price table for two-end thread posts with diameter and length specifications.

Price table for SUS304 and A2011 materials.

Price table for SUS304 and A2011 materials.

Price table for SUS304 and A2011 materials.

Notes regarding black aluminum material and pricing.

Notes regarding black aluminum material and pricing.

Notes regarding black aluminum material and pricing.

Vertical text on the right edge: 31 各種六角支柱