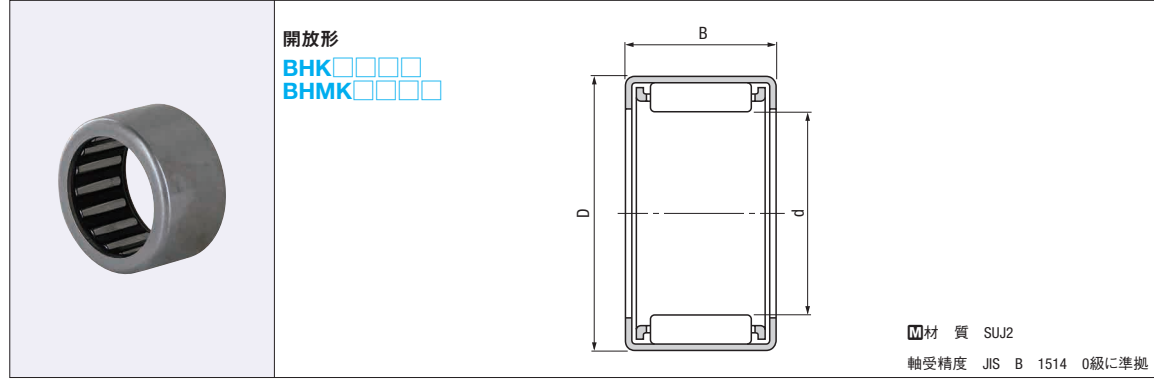


新商品 SHELL TYPE NEEDLE ROLLER BEARINGS
シェル形針状ころ軸受

■特長：外輪をもつ軸受としては最も断面高さが小さく、小スペース化とコスト節減が可能です。



型式	d	D	B	許容差	許容回転数 rpm (参考)	基本動定格荷重 Ca kN	基本静定格荷重 Coa kN	取付関係寸法				質量 (g) (参考)	¥基準単価			
								軸受		ハウジング						
								(max.)	(min.)	(max.)	(min.)					
BHK0306	3	6.5	6		33000	0.93	0.57	3.000	2.996	6.493	6.484	1	230			
BHK0408	4	8	8		30000	1.77	1.27	4.000	3.995	7.993	7.984	2	220			
BHK0709	7	11	9		23000	3.15	2.93	7.000	6.994	10.991	10.980	3	200			
BHK0810	8	12	10		20000	3.85	3.95	8.000	7.994	11.991	11.980	3	300			
BHMK0815	15	15		6.60		5.80	8.007	7.998	14.996	14.985	10	300				
BHMK0820	20			9.05		8.75					1	330				
BHK1010	10	10		16000	4.50	5.10	10.000	9.994	13.991	13.980	4	210				
BHK1012	12				5.65	6.80					5					
BHK1015	15				7.25	9.40					6					
BHMK1010	10	10			4.25	3.45	10.007	9.998	16.996	16.985	8	300				
BHMK1012	12				5.60	4.85					9					
BHMK1015	15				7.40	6.95					12					
BHK1212	12	12		13000	6.60	7.30	12.000	11.992	17.991	17.980	9	210				
BHMK1212	12				7.10	6.90	12.008	11.997	18.996	18.983	11	280				
BHMK1215	15				9.40	9.90					14	290				
BHMK1220	20				12.30	14.00					18	320				
BHMK1225	25				15.30	18.60	23	350								
BHK1412	14	12			11000	7.20	8.50	14.000	13.992	19.989	19.976	11	210			
BHK1416	16			10.30		13.40	15.000	14.992	20.989	20.976	15	300				
BHMK1420	20			14.60		16.20					24		550			
BHK1512	12			7.50		9.10					11		210			
BHK1516	16			10.70		14.40	15	230								
BHMK1510	10			6.10		6.00	11	15.008	14.997	21.996	21.983	13	340			
BHMK1512	12			7.95	8.45	22	360									
BHMK1520	20			14.90	18.90	27	360									
BHMK1525	25			18.50	25.00	12	240									
BHK1612	12			7.75	9.70	16.000	15.992					21.989		21.976	16	300
BHK1616	16			11.10	15.30	16.008	15.997					23.996		23.983	21	340
BHMK1616	16			12.40	13.50			18								
BHMK1715	15			12.10	15.00			24	590							
BHMK1720	20			15.20	20.00	17.008	16.997	23.996	23.983	30	380					
BHMK1725	25			19.30	26.70					18		270				
BHK1816	16			11.80	17.30					18.000		17.992	23.989	23.976	18	330
BHMK1813	13			10.20	12.20	18.008	17.997	24.996	24.983	16	390					
BHMK1815	15			12.00	15.10					21		360				
BHMK1817	17			13.30	17.20					24		610				
BHMK1819	19			15.50	20.90					25		390				
BHMK1820	20			16.30	22.30					31		630				
BHMK1825	25			20.30	29.60					25		390				
BHMK1916	16			13.90	16.30	19.009	18.996	26.996	26.983	25	390					
BHMK1920	20			17.50	22.10					31	660					

型式	d	D	B	許容差	許容回転数 rpm (参考)	基本動定格荷重 Ca kN	基本静定格荷重 Coa kN	取付関係寸法				質量 (g) (参考)	¥基準単価		
								軸受		ハウジング					
								(max.)	(min.)	(max.)	(min.)				
BHK2016	16	26	16		8000	12.50	19.20	20.000	19.991	25.989	25.976	19	280		
BHK2020	20			16.00		26.20	24					300			
BHMK2015	15			13.00		17.30	21					380			
BHMK2020	20			17.70		25.60	27					400			
BHMK2025	25			22.00		34.00	34					400			
BHMK2030	30			26.10		42.00	41					430			
BHMK2116	16	21	29		7500	15.30	19.10	21.009	20.996	28.996	28.983	27	400		
BHMK2120	20			19.40		25.80	33					420			
BHK2212	12			9.20		13.40	13					300			
BHK2216	16			13.20		21.10	21					360			
BHK2220	20			16.80		28.80	26					380			
BHMK2210	10			8.40		10.10	15					400			
BHMK2225	25			23.60	38.50	37	430								
BHMK2420	20	24	31		6500	18.30	28.20	24.009	23.996	30.996	30.980	32	420		
BHMK2428	28			26.00		44.50	45					490			
BHK2520	20			20.30		33.00	34					320			
BHK2526	26			26.40		46.00	45					370			
BHMK2510	10			9.15		10.40	19					390			
BHMK2520	20			21.80		31.50	39					430			
BHMK2525	25			26.70	41.00	48	470								
BHMK2530	30			32.50	53.00	58	480								
BHMK2620	20	26	34		6000	21.10	30.50	26.009	25.996	32.996	32.980	40	500		
BHK2816	16			16.70		26.40	30					320			
BHK2820	20			21.30		36.00	38					330			
BHMK2820	20			23.60		32.50	49					490			
BHMK2830	30			35.00		54.50	73					530			
BHMK2920	20			24.60		35.00	50					550			
BHMK2930	30			34.50	54.00	75	760								
BHK3016	16			18.10	30.00	32	320								
BHK3026	26			28.50	54.00	53	390								
BHMK3013	13			14.10	17.10	40	490								
BHMK3015	15			17.10	22.10	44									
BHMK3020	20			24.20	34.50	58		550							
BHMK3030	30			36.00	57.50	87	620								
BHMK3220	20			27.50	38.00	32.011	31.995	41.996	41.980	62	810				
BHK3520	20			24.80	47.50	35.000	34.989	41.988	41.972	46	370				
BHMK3512	12			14.90	17.60	35.011	34.995	44.996	44.980	40	570				
BHMK3515	15			20.20	26.20					50	580				
BHMK3520	20			28.40	40.50					67	690				
BHMK3525	25			36.00	54.50					83	740				
BHMK3530	30			43.00	69.00					100	710				
BHMK3720	20			29.30	43.00					37.011	36.995	46.996	46.980	70	910
BHMK3820	20			30.50	45.00	38.011	37.995	47.996	47.980	72					
BHMK3825	25			38.50	61.00	47	780								
BHK4012	12			15.10	26.00	40.000	39.989	46.988	46.972	31	400				
BHK4016	16			20.30	38.50					41	440				
BHK4020	20			25.90	52.50					52	460				
BHMK4015	15			23.10	32.50					56	760				
BHMK4020	20			32.50	50.00					75	850				
BHMK4025	25			41.00	67.50					94	880				
BHMK4030	30			49.00	85.00	112	860								
BHK4516	16			21.60	43.00	45.000	44.989	51.986	51.967	46	710				
BHK4520	20			27.60	59.00					58	490				
BHMK4525	25			41.50	71.50					104	890				
BHMK4530	30			49.50	90.00					125					
BHK5020	20			31.50	63.00					45.011	44.995	54.995	54.976	72	760
BHK5025	25			38.50	82.00					50.000	49.989	57.986	57.967	90	

14 ベアリングホルダ



Order 注文例
型式
BHK0306
BHMK0815



Delivery 出荷日
在庫品 翌日出荷 P133
ご希望によりPM6:00迄、当日出荷受付致します。



Price 価格

数量区分	標準対応			個別対応
	小口	大口		
数量	1~14	15~30	31~100	101~
値引率	基準単価	5%	10%	お見積り

☞表示数量超えはWOSIにてご確認ください。