

TOLERANCING SYMBOL	JIS B 0021
STRAIGHTNESS	—
FLATNESS	□
CIRCULARITY	○
CYLINDRICITY	⊗
LINE PROFILE	⌒
SURFACE PROFILE	⌒
PARALLELISM	∥
PERPENDICULARITY	⊥
ANGULARITY	∠
POSITION	⊕
CONCENTRICITY	⊙
SYMMETRY	≡
CIRCULAR RUNOUT	↻

SW1
 【A16L-JGM-24D-1】
 (1)SW RATING
 AC125V 5A
 AC250V 3A
 DC30V 3A
 (2)LED RATING
 AC/DC24V 8mA
 COLOR GREEN

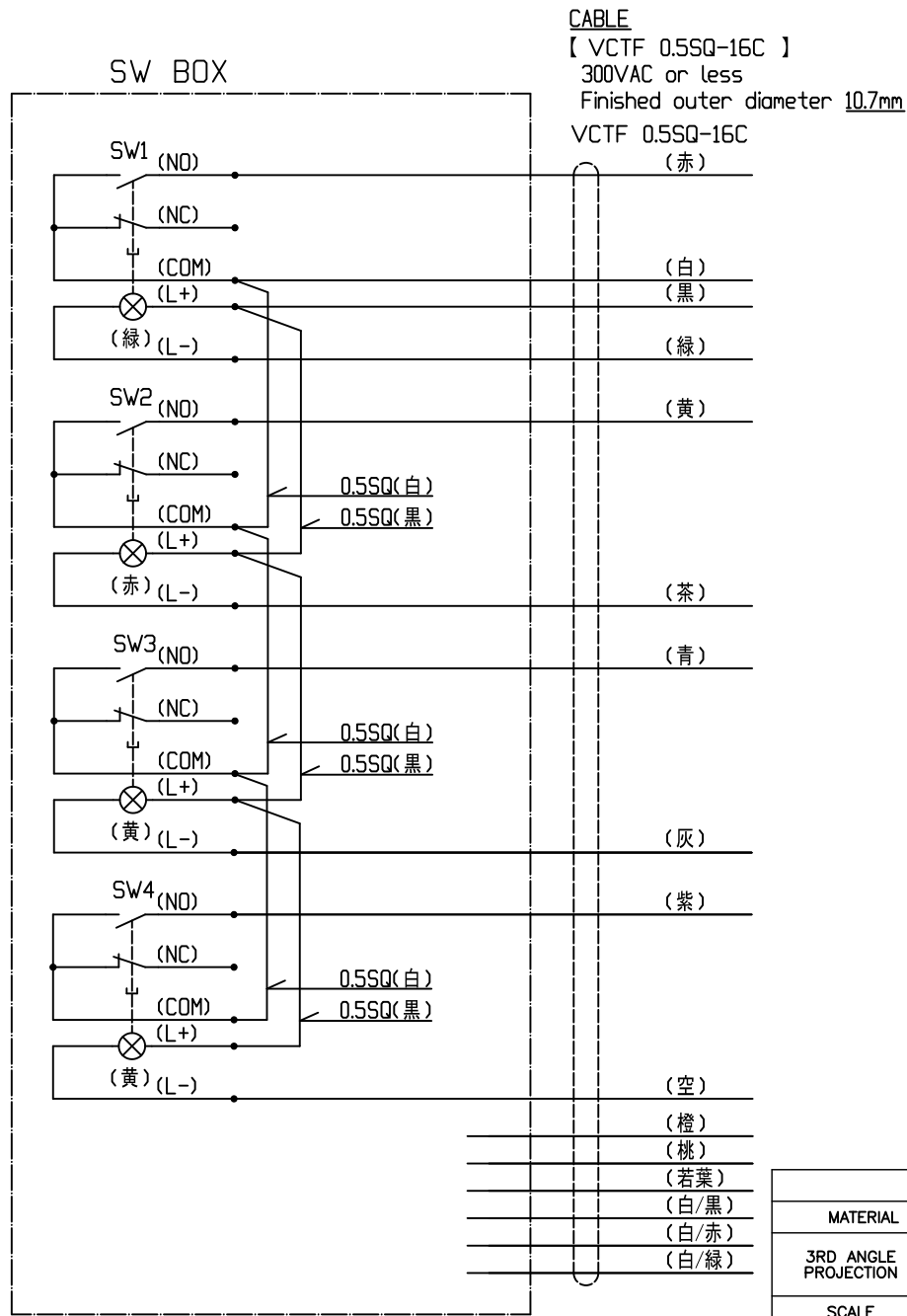
SW2
 【A16L-JRM-24D-1】
 (1)SW RATING
 AC125V 5A
 AC250V 3A
 DC30V 3A
 (2)LED RATING
 AC/DC24V 8mA
 COLOR RED

SW3
 【A16L-JYM-24D-1】
 (1)SW RATING
 AC125V 5A
 AC250V 3A
 DC30V 3A
 (2)LED RATING
 AC/DC24V 8mA
 COLOR YELLOW

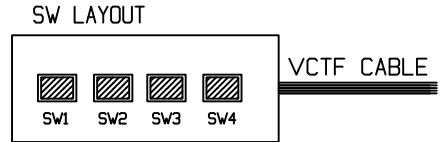
SW4
 【A16L-JYM-24D-1】
 (1)SW RATING
 AC125V 5A
 AC250V 3A
 DC30V 3A
 (2)LED RATING
 AC/DC24V 8mA
 COLOR YELLOW

COMMON TOLERANCE

OVER 0.5 UP TO 6mm	±0.1
OVER 6 UP TO 30mm	±0.2
OVER 30 UP TO 120mm	±0.3
OVER 120 UP TO 400mm	±0.5
TOLERANCE OF ANGLE	±0.5



REVISION				
MARK	DESCRIPTION	DATE	REVISED	APPROVED



CABLE LENGTH : 1m

MATERIAL		HARDNESS		HEAT TREATMENT		SURFACE TREATMENT	
3RD ANGLE PROJECTION	APPROVED			TITLE スイッチボックス(4個仕様) 型式: SAAF-4R-B			
	CHECKED						
SCALE 1:1	DRAWN			NAME	DATE		
	MISUMI Corporation				DWG.No. SAAF-4R-B-0		