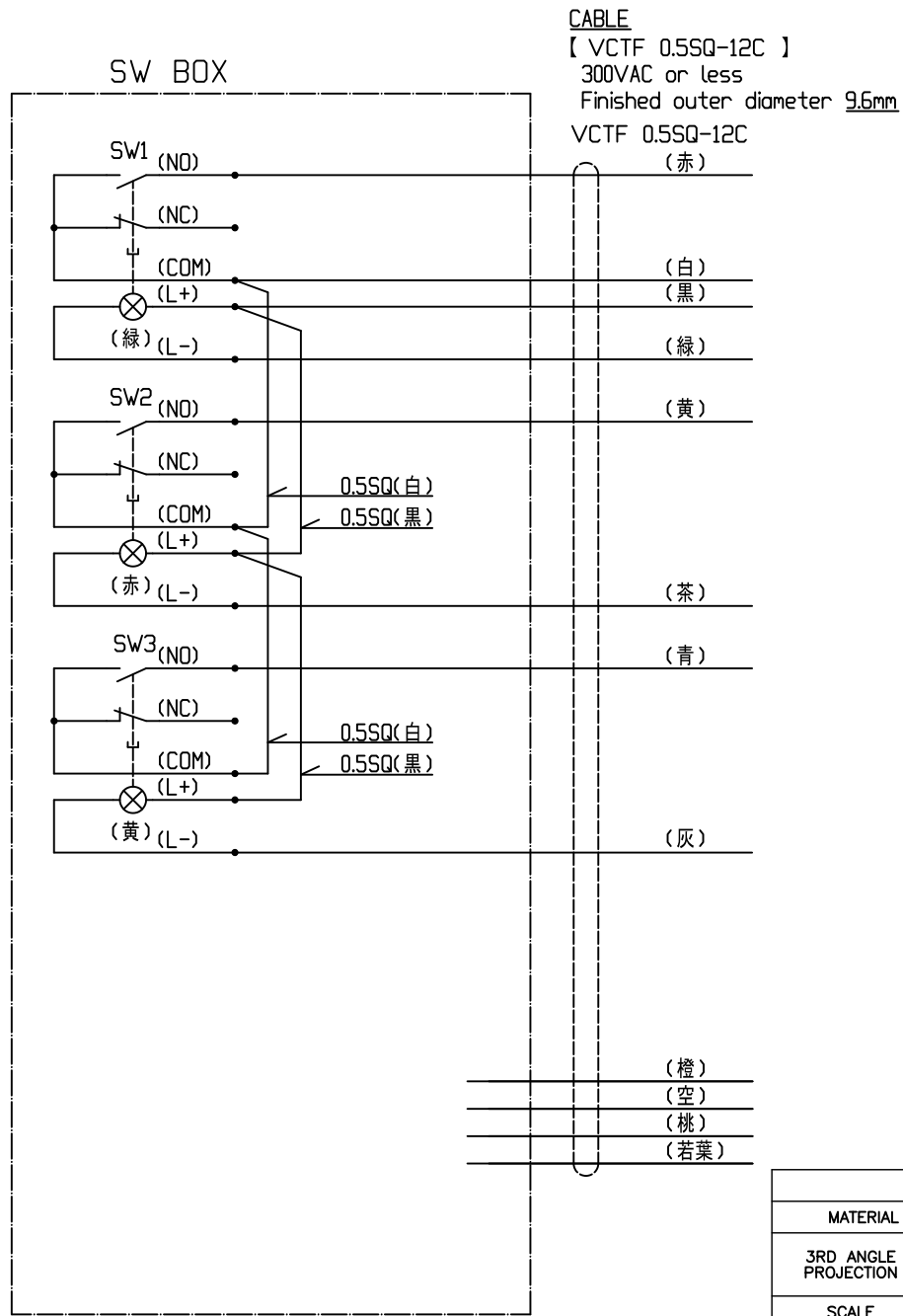


TOLERANCING SYMBOL JIS B 0021
STRAIGHTNESS
FLATNESS
CIRCULARITY
CYLINDRICITY
LINE PROFILE
SURFACE PROFILE
PARALLELISM
PERPENDICULARITY
ANGULARITY
POSITION
CONCENTRICITY
SYMMETRY
CIRCULAR RUNOUT

**SW1**  
 【A16L-TGM-24D-1】  
 (1)SW RATING  
 AC125V 5A  
 AC250V 3A  
 DC30V 3A  
 (2)LED RATING  
 AC/DC24V 8mA  
 COLOR GREEN

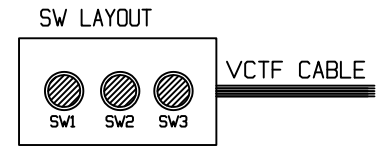
**SW2**  
 【A16L-TRM-24D-1】  
 (1)SW RATING  
 AC125V 5A  
 AC250V 3A  
 DC30V 3A  
 (2)LED RATING  
 AC/DC24V 8mA  
 COLOR RED

**SW3**  
 【A16L-TYM-24D-1】  
 (1)SW RATING  
 AC125V 5A  
 AC250V 3A  
 DC30V 3A  
 (2)LED RATING  
 AC/DC24V 8mA  
 COLOR YELLOW



(注記)  
 未使用の電線は末端を絶縁処理する事。

REVISION				
MARK	DESCRIPTION	DATE	REVISED	APPROVED



CABLE LENGTH : 1m

COMMON TOLERANCE	
OVER 0.5 UP TO 6mm	±0.1
OVER 6 UP TO 30mm	±0.2
OVER 30 UP TO 120mm	±0.3
OVER 120 UP TO 400mm	±0.5
TOLERANCE OF ANGLE	±0.5

MATERIAL		HARDNESS		HEAT TREATMENT		SURFACE TREATMENT	
3RD ANGLE PROJECTION		APPROVED		TITLE		スイッチボックス(3個仕様)	
SCALE		CHECKED		型式: SAAF-3R-H			
1:1		DRAWN		NAME	DATE		
MISUMI Corporation					DWG.No. SAAF-3R-H-0		