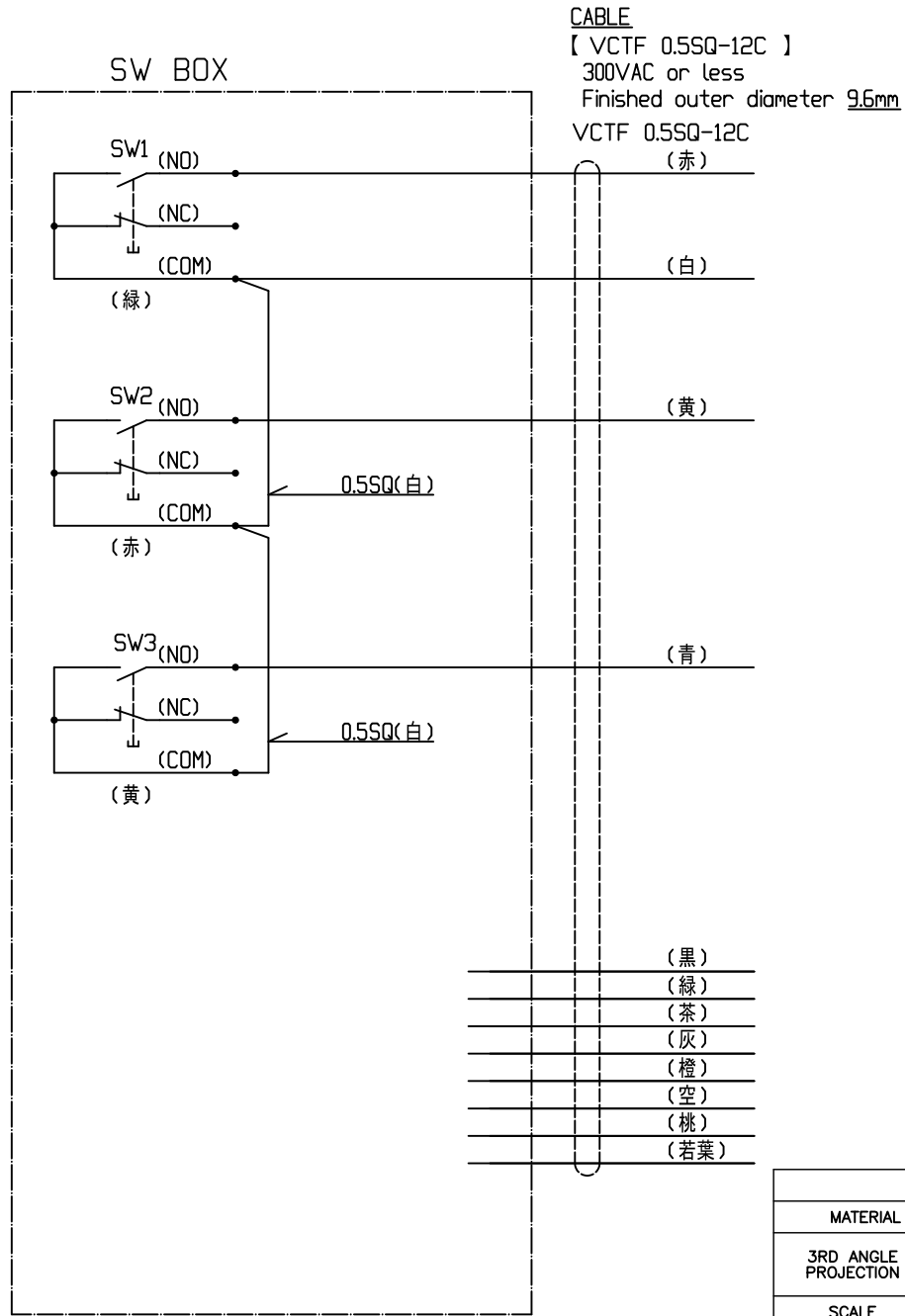


TOLERANCING SYMBOL	JIS B 0021
STRAIGHTNESS	—
FLATNESS	▭
CIRCULARITY	○
CYLINDRICITY	⊘
LINE PROFILE	⌒
SURFACE PROFILE	⌒
PARALLELISM	∥
PERPENDICULARITY	⊥
ANGULARITY	∠
POSITION	⊕
CONCENTRICITY	⊙
SYMMETRY	≡
CIRCULAR RUNOUT	↻

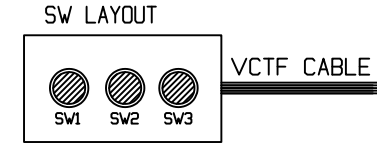
SW1  
 【A16-TGM-1】  
 (1)SW RATING  
 AC125V 5A  
 AC250V 3A  
 DC30V 3A  
 COLOR GREEN

SW2  
 【A16-TRM-1】  
 (1)SW RATING  
 AC125V 5A  
 AC250V 3A  
 DC30V 3A  
 COLOR RED

SW3  
 【A16-TYM-1】  
 (1)SW RATING  
 AC125V 5A  
 AC250V 3A  
 DC30V 3A  
 COLOR YELLOW



REVISION				
MARK	DESCRIPTION	DATE	REVISED	APPROVED



CABLE LENGTH : 1m

COMMON TOLERANCE	
OVER 0.5 UP TO 6mm	±0.1
OVER 6 UP TO 30mm	±0.2
OVER 30 UP TO 120mm	±0.3
OVER 120 UP TO 400mm	±0.5
TOLERANCE OF ANGLE	±0.5

MATERIAL		HARDNESS		HEAT TREATMENT		SURFACE TREATMENT	
3RD ANGLE PROJECTION	APPROVED			TITLE			
	CHECKED			スイッチボックス(3個仕様)			
SCALE	DRAWN			型式: SAAF-3R-G			
1:1		NAME	DATE				
MISUMI Corporation						DWG.No. SAAF-3R-G-0	