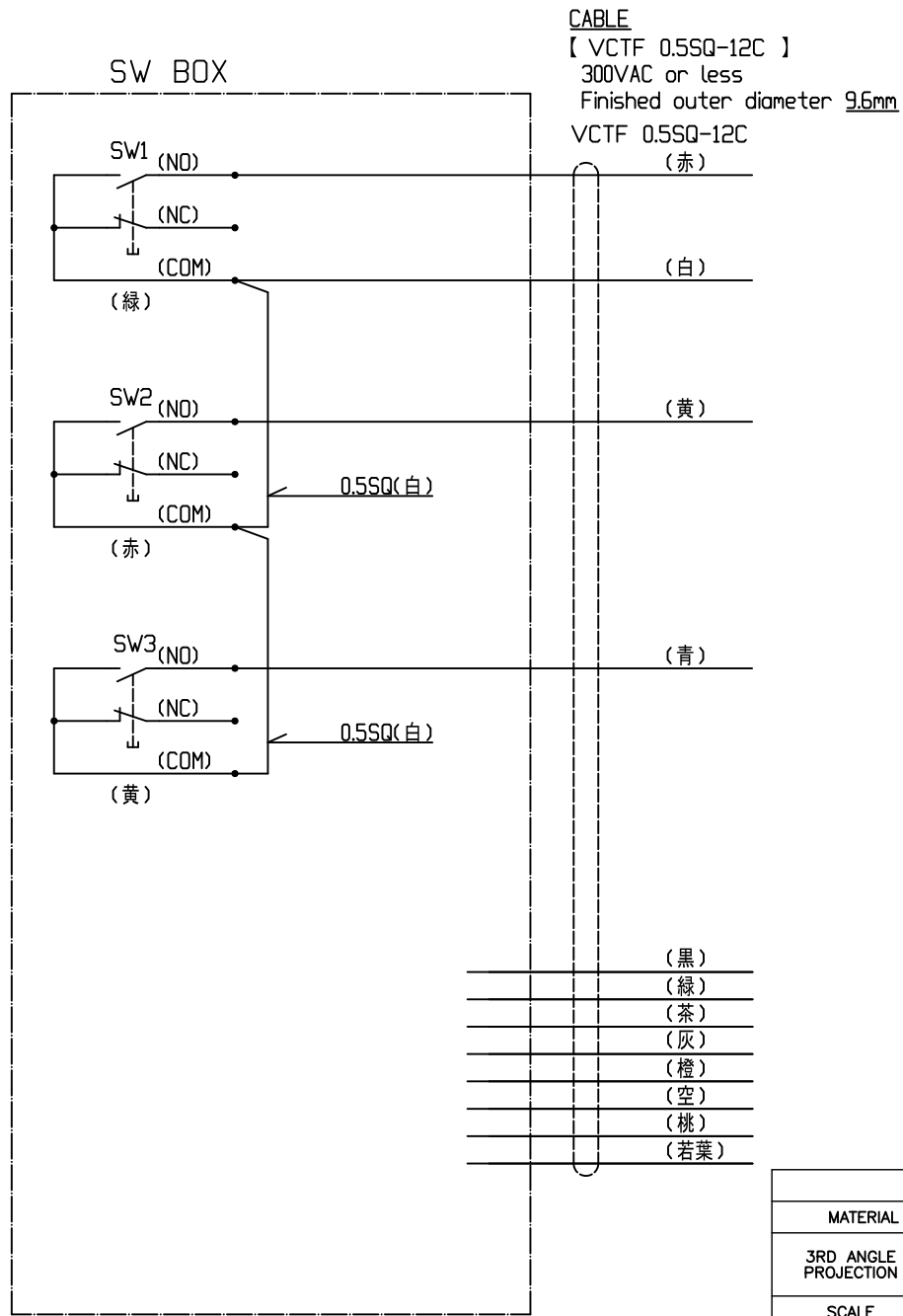


TOLERANCING SYMBOL	JIS B 0021
STRAIGHTNESS	—
FLATNESS	▭
CIRCULARITY	○
CYLINDRICITY	⊘
LINE PROFILE	⤴
SURFACE PROFILE	⤴
PARALLELISM	∥
PERPENDICULARITY	⊥
ANGULARITY	∠
POSITION	⊕
CONCENTRICITY	⊙
SYMMETRY	≡
CIRCULAR RUNOUT	↻

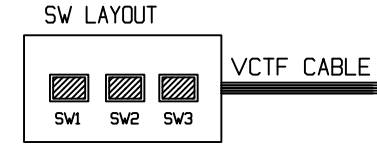
SW1
 【A16-JGM-1】
 (1)SW RATING
 AC125V 5A
 AC250V 3A
 DC30V 3A
 COLOR GREEN

SW2
 【A16-JRM-1】
 (1)SW RATING
 AC125V 5A
 AC250V 3A
 DC30V 3A
 COLOR RED

SW3
 【A16-JYM-1】
 (1)SW RATING
 AC125V 5A
 AC250V 3A
 DC30V 3A
 COLOR YELLOW



REVISION				
MARK	DESCRIPTION	DATE	REVISED	APPROVED



CABLE LENGTH : 1m

COMMON TOLERANCE	
OVER 0.5 UP TO 6mm	±0.1
OVER 6 UP TO 30mm	±0.2
OVER 30 UP TO 120mm	±0.3
OVER 120 UP TO 400mm	±0.5
TOLERANCE OF ANGLE	±0.5

(注記)
未使用の電線は末端を絶縁処理する事。

MATERIAL		HARDNESS		HEAT TREATMENT		SURFACE TREATMENT	
3RD ANGLE PROJECTION		APPROVED		TITLE		スイッチボックス(3個仕様)	
SCALE		CHECKED		型式: SAAF-3R-E			
1:1		DRAWN		NAME	DATE		
MISUMI Corporation						DWG.No. SAAF-3R-E-0	