

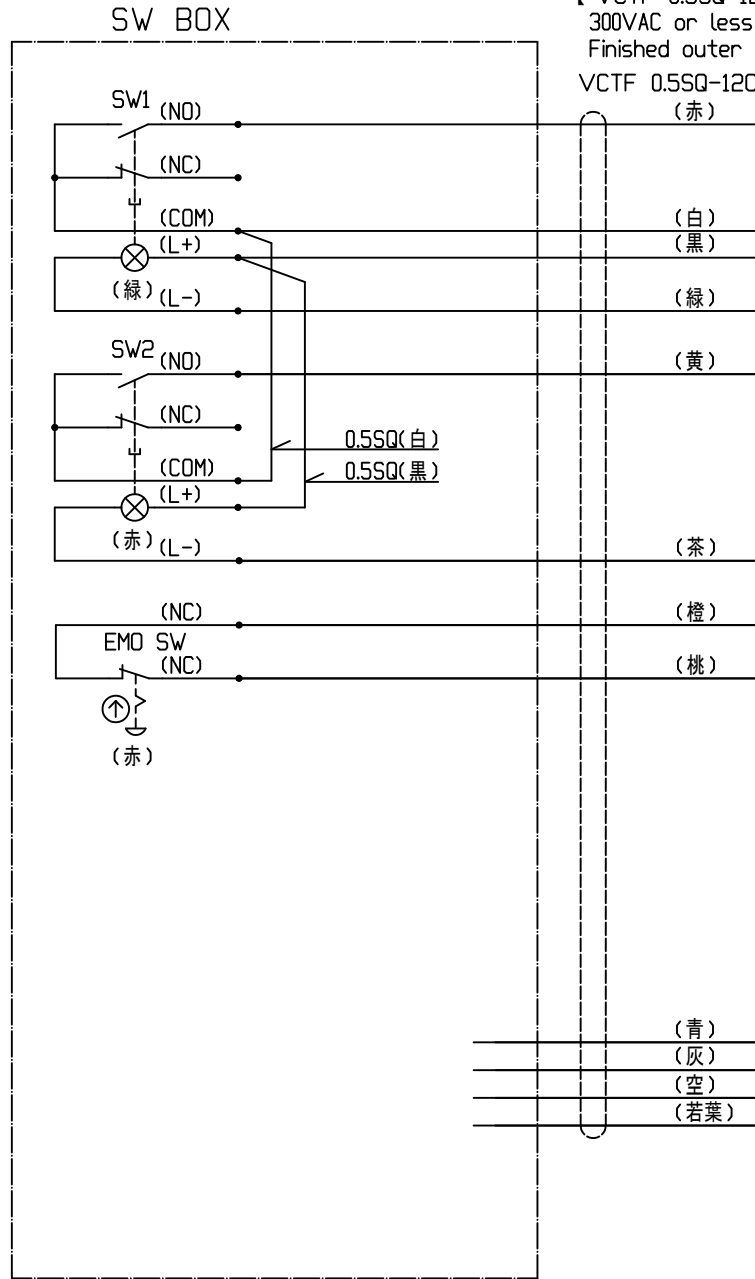
TOLERANCING SYMBOL JIS B 0021
STRAIGHTNESS
FLATNESS
CIRCULARITY
CYLINDRICITY
LINE PROFILE
SURFACE PROFILE
PARALLELISM
PERPENDICULARITY
ANGULARITY
POSITION
CONCENTRICITY
SYMMETRY
CIRCULAR RUNOUT

SW1
 【A16L-JGM-24D-1】
 (1)SW RATING
 AC125V 5A
 AC250V 3A
 DC30V 3A
 (2)LED RATING
 AC/DC24V 8mA
 COLOR GREEN

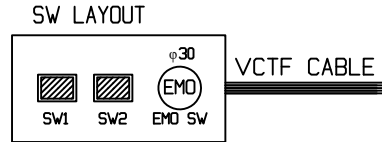
SW2
 【A16L-JRM-24D-1】
 (1)SW RATING
 AC125V 5A
 AC250V 3A
 DC30V 3A
 (2)LED RATING
 AC/DC24V 8mA
 COLOR RED

EMO SW
 【A165E-S-01】
 SIZE φ30
 (1)SW RATING
 AC125V 5A
 AC250V 3A
 DC30V 3A
 COLOR RED

CABLE
 【 VCTF 0.5SQ-12C 】
 300VAC or less
 Finished outer diameter 9.6mm
 VCTF 0.5SQ-12C



REVISION				
MARK	DESCRIPTION	DATE	REVISED	APPROVED



CABLE LENGTH : 1m

COMMON TOLERANCE	
OVER 0.5 UP TO 6mm	±0.1
OVER 6 UP TO 30mm	±0.2
OVER 30 UP TO 120mm	±0.3
OVER 120 UP TO 400mm	±0.5
TOLERANCE OF ANGLE	±0.5

MATERIAL		HARDNESS		HEAT TREATMENT		SURFACE TREATMENT	
3RD ANGLE PROJECTION	APPROVED			TITLE			
	CHECKED			スイッチボックス(3個仕様)			
SCALE	DRAWN			型式: SAAF-3R-B			
1:1		NAME	DATE				
MISUMI Corporation				DWG.No. SAAF-3R-B-0			