

TOLERANCING SYMBOL JIS B 0021
STRAIGHTNESS
FLATNESS
CIRCULARITY
CYLINDRICITY
LINE PROFILE
SURFACE PROFILE
PARALLELISM
PERPENDICULARITY
ANGULARITY
POSITION
CONCENTRICITY
SYMMETRY
CIRCULAR RUNOUT

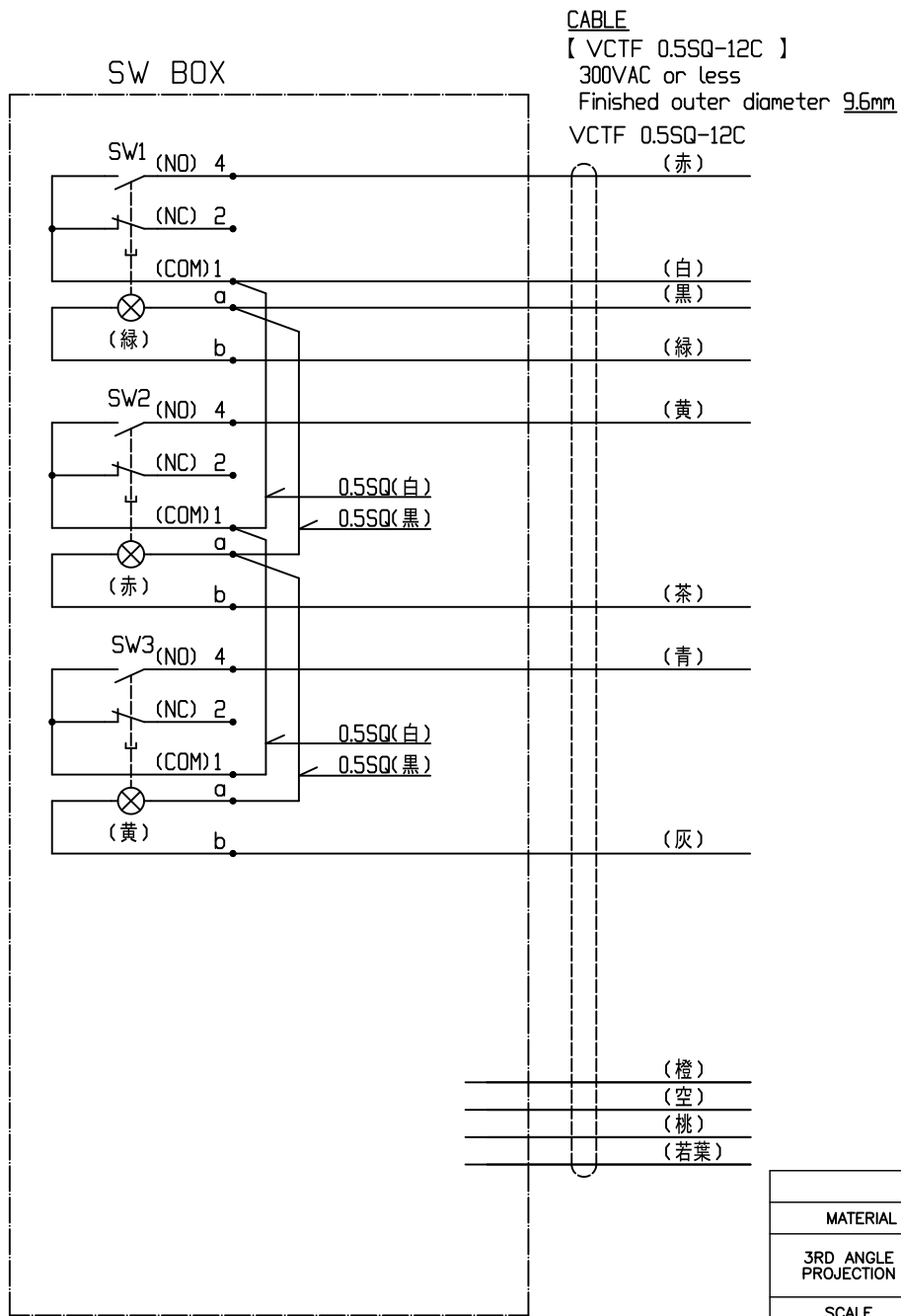
SW1
[AR16E0L-C1E3G]
(1)SW RATING (抵抗負荷時)
AC120V 1.5A
AC240V 1A
DC24V 1A
(2)LED RATING
AC/DC24V 7.5mA
COLOR GREEN

SW2
[AR16E0L-C1E3R]
(1)SW RATING (抵抗負荷時)
AC120V 1.5A
AC240V 1A
DC24V 1A
(2)LED RATING
AC/DC24V 7.5mA
COLOR RED

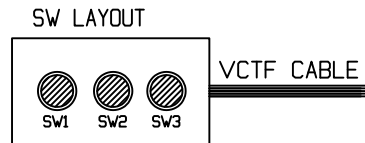
SW3
[AR16E0L-C1E3Y]
(1)SW RATING (抵抗負荷時)
AC120V 1.5A
AC240V 1A
DC24V 1A
(2)LED RATING
AC24V 9mA
DC24V 8.5mA
COLOR YELLOW

COMMON TOLERANCE

OVER 0.5 UP TO 6mm	±0.1
OVER 6 UP TO 30mm	±0.2
OVER 30 UP TO 120mm	±0.3
OVER 120 UP TO 400mm	±0.5
TOLERANCE OF ANGLE	±0.5



REVISION				
MARK	DESCRIPTION	DATE	REVISED	APPROVED



CABLE LENGTH : 1m

MATERIAL		HARDNESS		HEAT TREATMENT		SURFACE TREATMENT	
3RD ANGLE PROJECTION		APPROVED		TITLE		スイッチボックス(3個仕様)	
SCALE		CHECKED		型式: SAAF-3F-H			
1:1		DRAWN		NAME	DATE		
MISUMI Corporation					DWG.No. SAAF-3F-H-0		