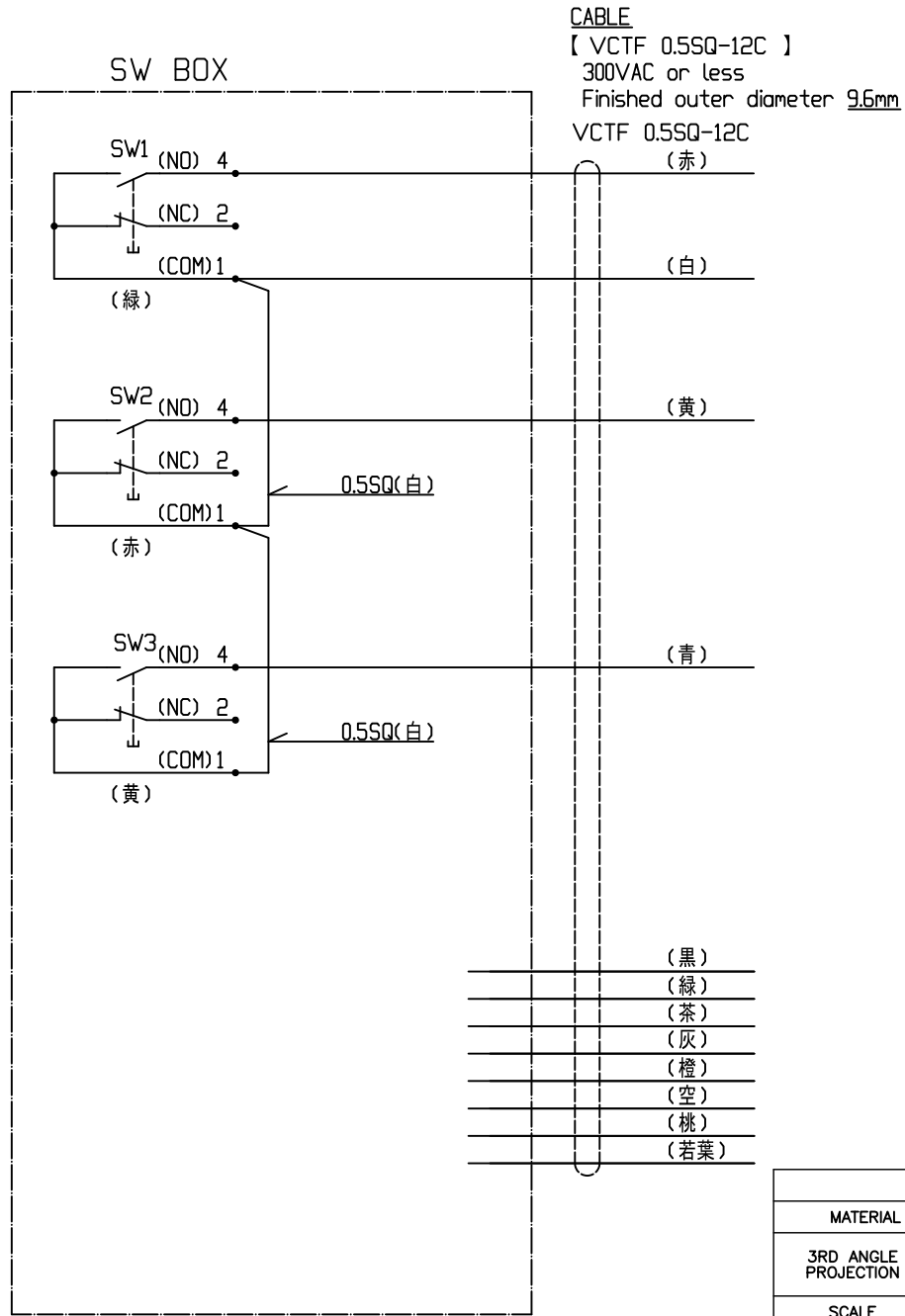


TOLERANCING SYMBOL	JIS B 0021
STRAIGHTNESS	—
FLATNESS	▭
CIRCULARITY	○
CYLINDRICITY	⊗
LINE PROFILE	⤴
SURFACE PROFILE	⤴
PARALLELISM	∥
PERPENDICULARITY	⊥
ANGULARITY	∠
POSITION	⊕
CONCENTRICITY	⊙
SYMMETRY	≡
CIRCULAR RUNOUT	↻

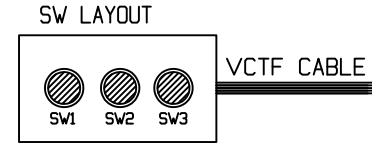
**SW1**  
 [AR16E0R-C1G]  
 (1)SW RATING (抵抗負荷時)  
 AC120V 1.5A  
 AC240V 1A  
 DC24V 1A  
 COLOR GREEN

**SW2**  
 [AR16E0R-C1R]  
 (1)SW RATING (抵抗負荷時)  
 AC120V 1.5A  
 AC240V 1A  
 DC24V 1A  
 COLOR RED

**SW3**  
 [AR16E0R-C1Y]  
 (1)SW RATING (抵抗負荷時)  
 AC120V 1.5A  
 AC240V 1A  
 DC24V 1A  
 COLOR YELLOW



REVISION				
MARK	DESCRIPTION	DATE	REVISED	APPROVED



CABLE LENGTH : 1m

COMMON TOLERANCE	
OVER 0.5 UP TO 6mm	<b>±0.1</b>
OVER 6 UP TO 30mm	<b>±0.2</b>
OVER 30 UP TO 120mm	<b>±0.3</b>
OVER 120 UP TO 400mm	<b>±0.5</b>
TOLERANCE OF ANGLE	<b>±0.5</b>

(注記)  
 未使用の電線は末端を絶縁処理する事。

MATERIAL		HARDNESS		HEAT TREATMENT		SURFACE TREATMENT	
3RD ANGLE PROJECTION		APPROVED		TITLE		スイッチボックス(3個仕様)	
SCALE		CHECKED		型式: SAAF-3F-G			
1:1		DRAWN		NAME	DATE		
MISUMI Corporation						DWG.No. SAAF-3F-G-0	