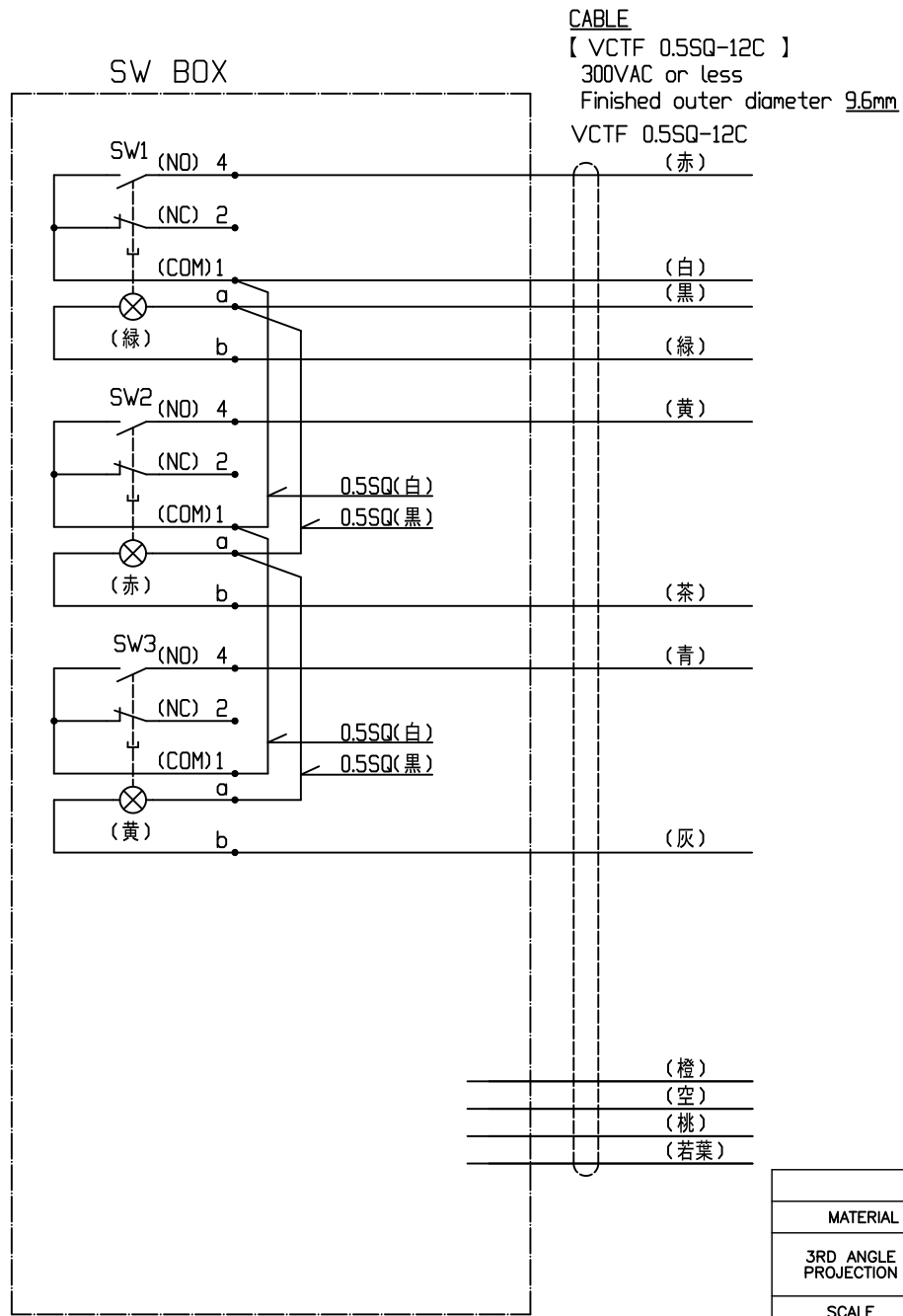


TOLERANCING SYMBOL	JIS B 0021
STRAIGHTNESS	—
FLATNESS	□
CIRCULARITY	○
CYLINDRICITY	⊗
LINE PROFILE	⌒
SURFACE PROFILE	⌒
PARALLELISM	∥
PERPENDICULARITY	⊥
ANGULARITY	∠
POSITION	⊕
CONCENTRICITY	⊙
SYMMETRY	≡
CIRCULAR RUNOUT	↻

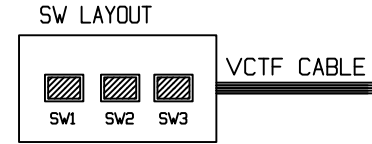
SW1
 [AR16F0N-C1E3G]
 (1)SW RATING (抵抗負荷時)
 AC120V 1.5A
 AC240V 1A
 DC24V 1A
 (2)LED RATING
 AC/DC24V 7.5mA
 COLOR GREEN

SW2
 [AR16F0N-C1E3R]
 (1)SW RATING (抵抗負荷時)
 AC120V 1.5A
 AC240V 1A
 DC24V 1A
 (2)LED RATING
 AC/DC24V 7.5mA
 COLOR RED

SW3
 [AR16F0N-C1E3Y]
 (1)SW RATING (抵抗負荷時)
 AC120V 1.5A
 AC240V 1A
 DC24V 1A
 (2)LED RATING
 AC24V 9mA
 DC24V 8.5mA
 COLOR YELLOW



REVISION				
MARK	DESCRIPTION	DATE	REVISED	APPROVED



CABLE LENGTH : 1m

COMMON TOLERANCE	
OVER 0.5 UP TO 6mm	±0.1
OVER 6 UP TO 30mm	±0.2
OVER 30 UP TO 120mm	±0.3
OVER 120 UP TO 400mm	±0.5
TOLERANCE OF ANGLE	±0.5

(注記)
未使用の電線は端末を絶縁処理する事。

MATERIAL		HARDNESS		HEAT TREATMENT		SURFACE TREATMENT	
3RD ANGLE PROJECTION	APPROVED				TITLE		
	CHECKED				スイッチボックス(3個仕様)		
SCALE	DRAWN				型式: SAAF-3F-F		
1:1		NAME	DATE				
MISUMI Corporation					DWG.No. SAAF-3F-F-0		