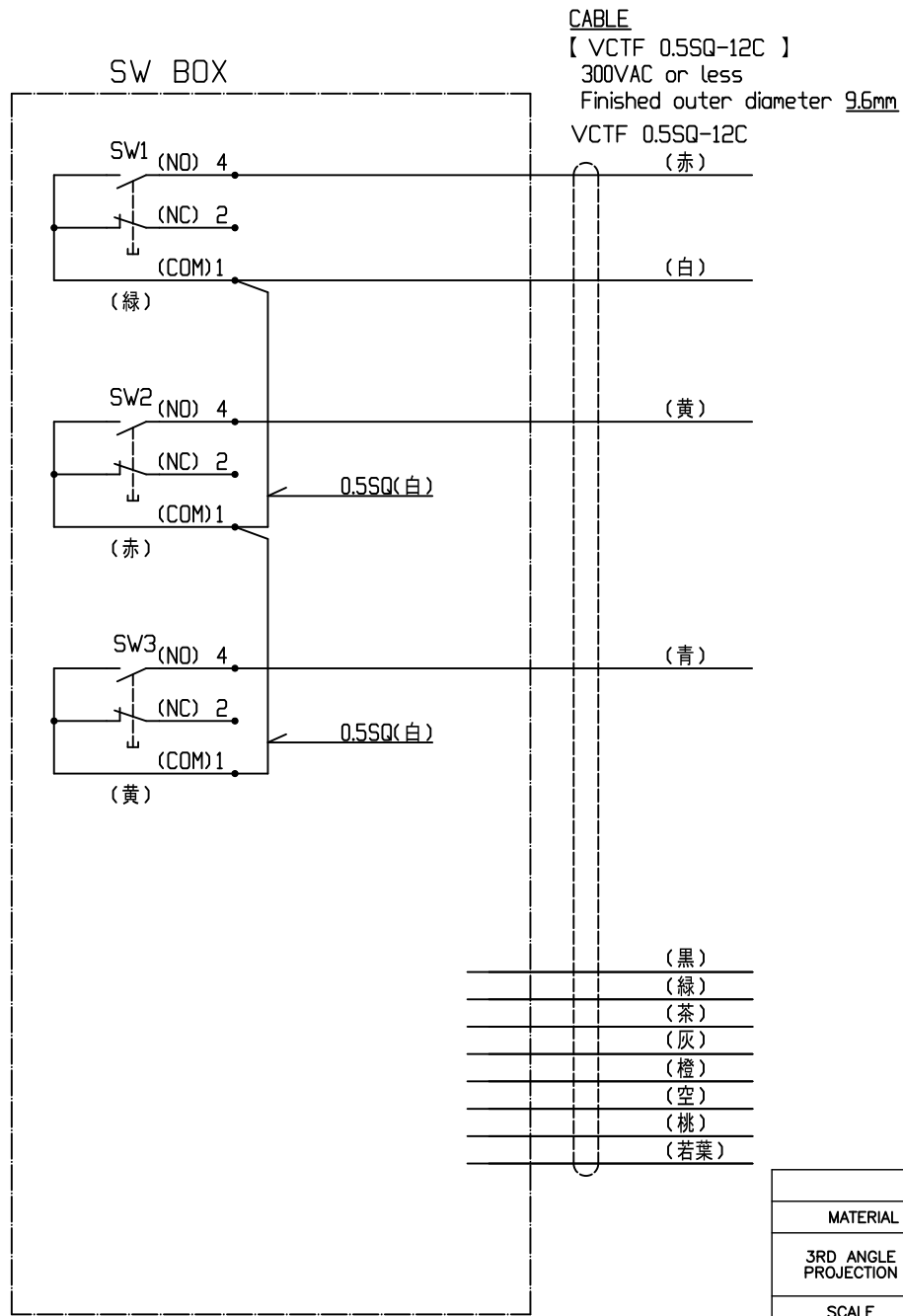


TOLERANCING SYMBOL JIS B 0021
STRAIGHTNESS
FLATNESS
CIRCULARITY
CYLINDRICITY
LINE PROFILE
SURFACE PROFILE
PARALLELISM
PERPENDICULARITY
ANGULARITY
POSITION
CONCENTRICITY
SYMMETRY
CIRCULAR RUNOUT

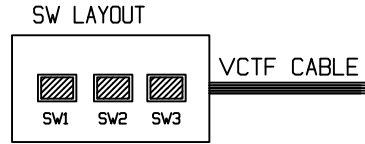
**SW1**  
[AR16F0T-C1G]  
(1)SW RATING (抵抗負荷時)  
AC120V 1.5A  
AC240V 1A  
DC24V 1A  
COLOR GREEN

**SW2**  
[AR16F0T-C1R]  
(1)SW RATING (抵抗負荷時)  
AC120V 1.5A  
AC240V 1A  
DC24V 1A  
COLOR RED

**SW3**  
[AR16F0T-C1Y]  
(1)SW RATING (抵抗負荷時)  
AC120V 1.5A  
AC240V 1A  
DC24V 1A  
COLOR YELLOW



REVISION				
MARK	DESCRIPTION	DATE	REVISED	APPROVED



CABLE LENGTH : 1m

COMMON TOLERANCE	
OVER 0.5 UP TO 6mm	±0.1
OVER 6 UP TO 30mm	±0.2
OVER 30 UP TO 120mm	±0.3
OVER 120 UP TO 400mm	±0.5
TOLERANCE OF ANGLE	±0.5

MATERIAL		HARDNESS		HEAT TREATMENT		SURFACE TREATMENT	
3RD ANGLE PROJECTION	APPROVED			TITLE スイッチボックス(3個仕様) 型式: SAAF-3F-E			
	CHECKED						
SCALE 1:1	DRAWN	NAME	DATE	DWG.No. SAAF-3F-E-0			
MISUMI Corporation							