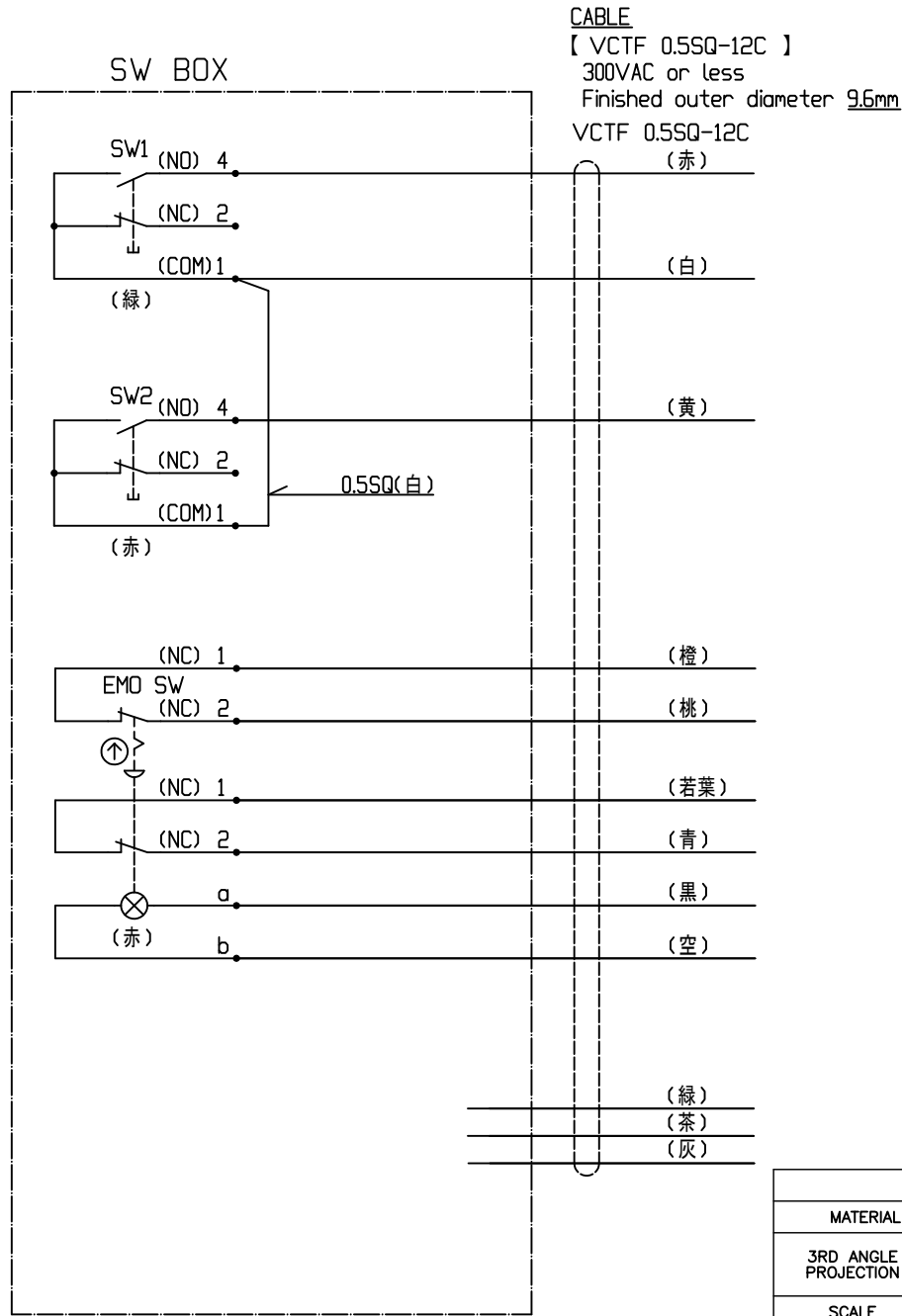


TOLERANCING SYMBOL JIS B 0021
STRAIGHTNESS
FLATNESS
CIRCULARITY
CYLINDRICITY
LINE PROFILE
SURFACE PROFILE
PARALLELISM
PERPENDICULARITY
ANGULARITY
POSITION
CONCENTRICITY
SYMMETRY
CIRCULAR RUNOUT

**SW1**  
 【AR16F0T-C1G】  
 (1)SW RATING (抵抗負荷時)  
 AC120V 1.5A  
 AC240V 1A  
 DC24V 1A  
 COLOR GREEN

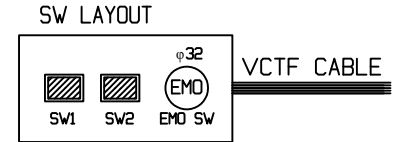
**SW2**  
 【AR16F0T-C1R】  
 (1)SW RATING (抵抗負荷時)  
 AC120V 1.5A  
 AC240V 1A  
 DC24V 1A  
 COLOR RED

**EMO SW**  
 【AR16VOL-02E3R】  
 SIZE φ32  
 (1)SW RATING (抵抗負荷時)  
 AC120V 1.5A  
 AC240V 1A  
 DC24V 1A  
 (2)LED RATING  
 AC/DC24V 7.5mA  
 COLOR RED



(注記)  
 未使用の電線は端末を絶縁処理する事。

REVISION				
MARK	DESCRIPTION	DATE	REVISED	APPROVED



CABLE LENGTH : 1m

COMMON TOLERANCE	
OVER 0.5 UP TO 6mm	±0.1
OVER 6 UP TO 30mm	±0.2
OVER 30 UP TO 120mm	±0.3
OVER 120 UP TO 400mm	±0.5
TOLERANCE OF ANGLE	±0.5

MATERIAL		HARDNESS		HEAT TREATMENT		SURFACE TREATMENT	
3RD ANGLE PROJECTION	APPROVED			TITLE スイッチボックス(3個仕様) 型式: SAAF-3F-C			
	CHECKED						
SCALE 1:1	DRAWN			NAME	DATE		
MISUMI Corporation						DWG.No. SAAF-3F-C-0	