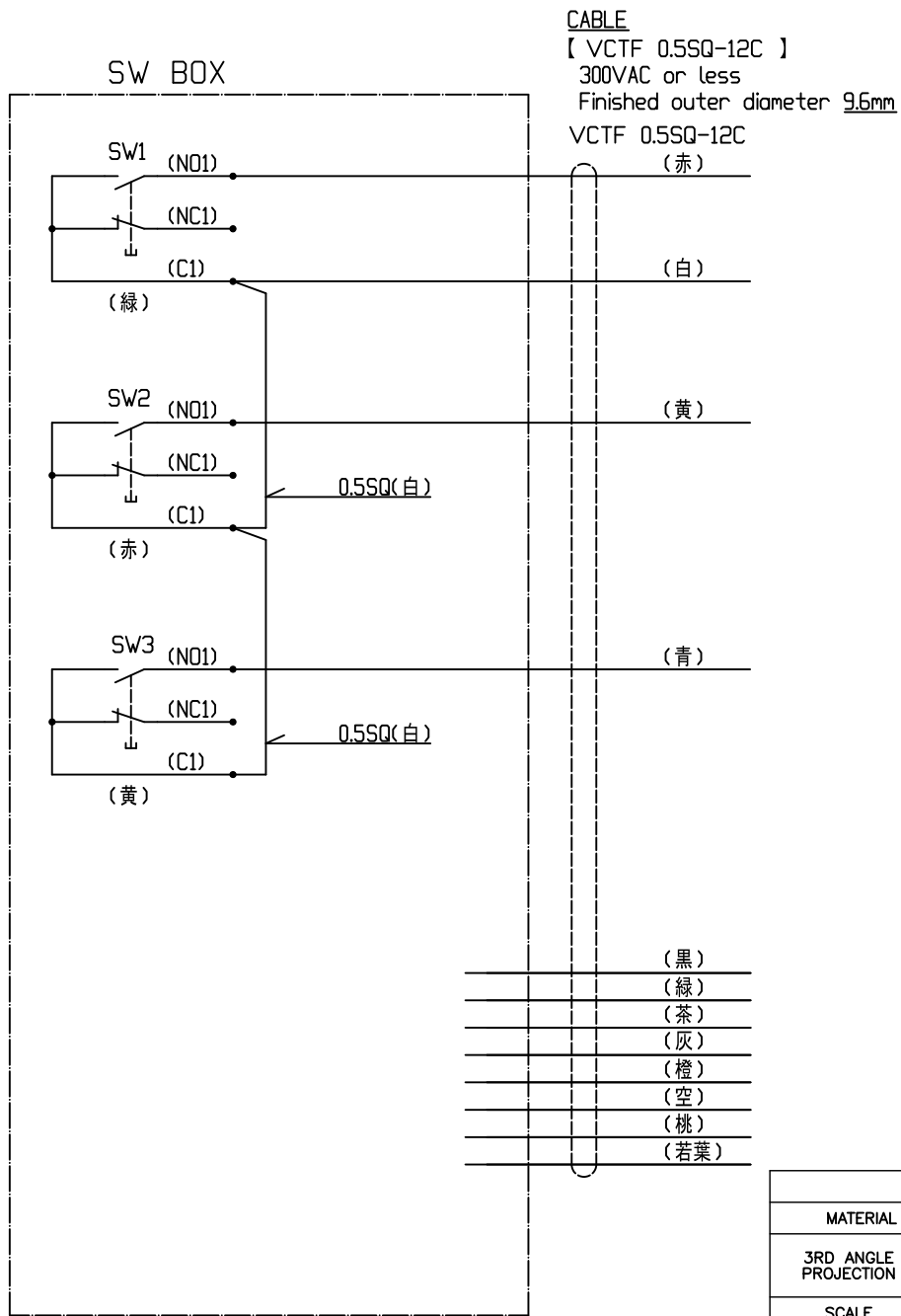


TOLERANCING SYMBOL JIS B 0021
STRAIGHTNESS
FLATNESS
CIRCULARITY
CYLINDRICITY
LINE PROFILE
SURFACE PROFILE
PARALLELISM
PERPENDICULARITY
ANGULARITY
POSITION
CONCENTRICITY
SYMMETRY
CIRCULAR RUNOUT

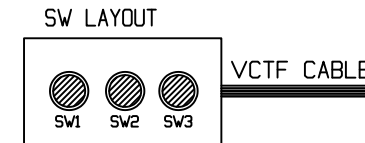
**SW1**  
[AB6M-M1G]  
(1)SW RATING (抵抗負荷時)  
AC110V 1A  
AC220V 0.5A  
DC24V 1A  
COLOR GREEN

**SW2**  
[AB6M-M1R]  
(1)SW RATING (抵抗負荷時)  
AC110V 1A  
AC220V 0.5A  
DC24V 1A  
COLOR RED

**SW3**  
[AB6M-M1Y]  
(1)SW RATING (抵抗負荷時)  
AC110V 1A  
AC220V 0.5A  
DC24V 1A  
COLOR YELLOW



REVISION				
MARK	DESCRIPTION	DATE	REVISED	APPROVED



CABLE LENGTH : 1m

COMMON TOLERANCE	
OVER 0.5 UP TO 6mm	<b>±0.1</b>
OVER 6 UP TO 30mm	<b>±0.2</b>
OVER 30 UP TO 120mm	<b>±0.3</b>
OVER 120 UP TO 400mm	<b>±0.5</b>
TOLERANCE OF ANGLE	<b>±0.5</b>

(注記)  
未使用の電線は末端を絶縁処理する事。

MATERIAL		HARDNESS		HEAT TREATMENT		SURFACE TREATMENT	
3RD ANGLE PROJECTION		APPROVED			TITLE		
SCALE		CHECKED			スイッチボックス(3個仕様)		
1:1		DRAWN			型式: SAAF-3D-J		
		NAME		DATE			
MISUMI Corporation					DWG.No. SAAF-3D-J-0		