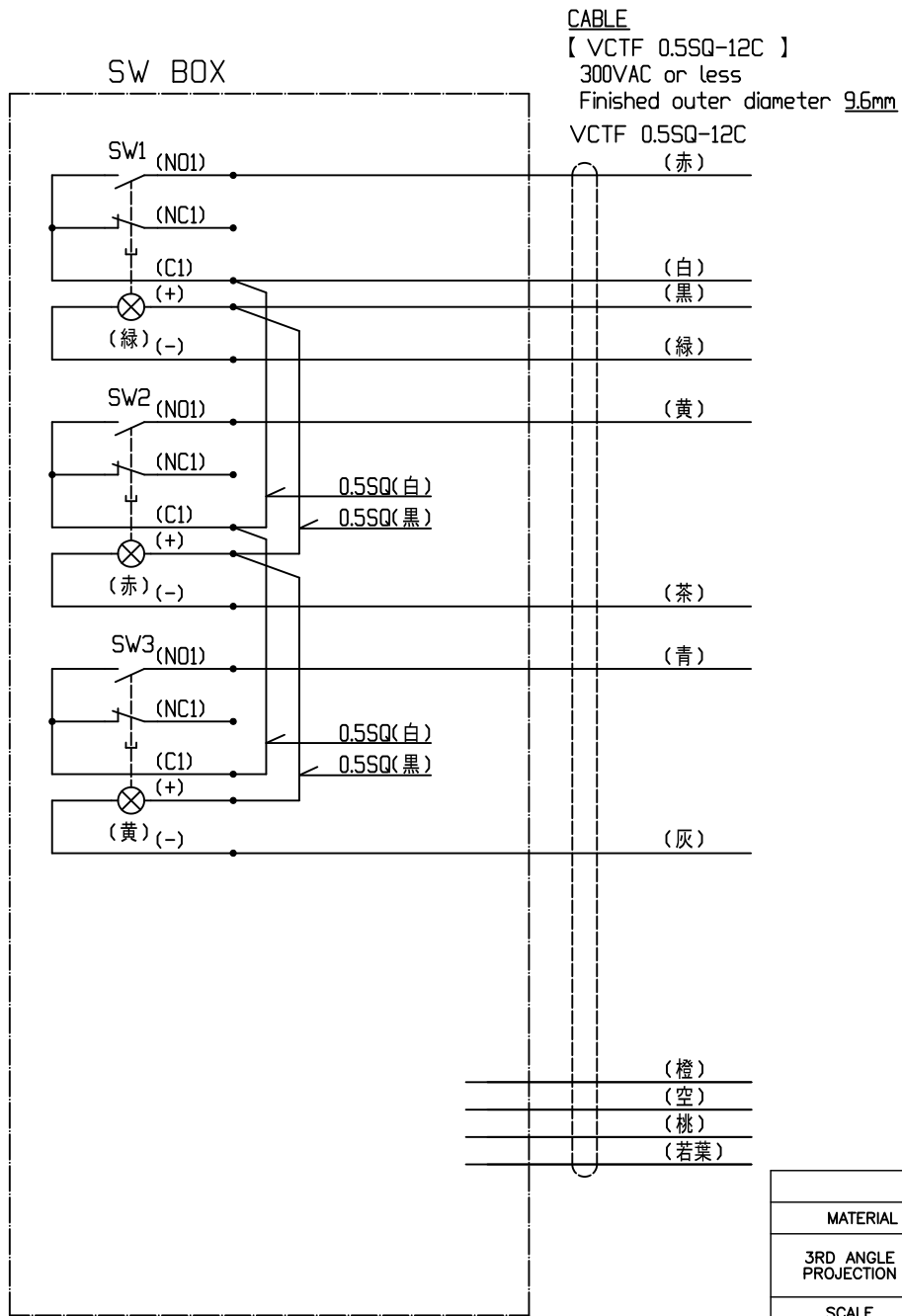


TOLERANCING SYMBOL	JIS B 0021
STRAIGHTNESS	—
FLATNESS	□
CIRCULARITY	○
CYLINDRICITY	⊗
LINE PROFILE	⌒
SURFACE PROFILE	⌒
PARALLELISM	∥
PERPENDICULARITY	⊥
ANGULARITY	∠
POSITION	⊕
CONCENTRICITY	⊙
SYMMETRY	≡
CIRCULAR RUNOUT	↻

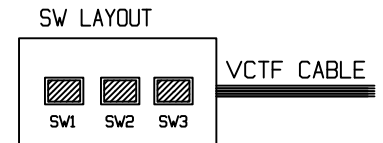
**SW1**  
 【AL6H-M14G】  
 (1)SW RATING (抵抗負荷時)  
 AC110V 1A  
 AC220V 0.5A  
 DC24V 1A  
 (2)LED RATING  
 AC/DC24V 5mA  
 COLOR GREEN

**SW2**  
 【AL6H-M14R】  
 (1)SW RATING (抵抗負荷時)  
 AC110V 1A  
 AC220V 0.5A  
 DC24V 1A  
 (2)LED RATING  
 AC/DC24V 5mA  
 COLOR RED

**SW3**  
 【AL6H-M14Y】  
 (1)SW RATING (抵抗負荷時)  
 AC110V 1A  
 AC220V 0.5A  
 DC24V 1A  
 (2)LED RATING  
 AC/DC24V 5mA  
 COLOR YELLOW



REVISION				
MARK	DESCRIPTION	DATE	REVISED	APPROVED



CABLE LENGTH : 1m

COMMON TOLERANCE	
OVER 0.5 UP TO 6mm	±0.1
OVER 6 UP TO 30mm	±0.2
OVER 30 UP TO 120mm	±0.3
OVER 120 UP TO 400mm	±0.5
TOLERANCE OF ANGLE	±0.5

(注記)  
 未使用の電線は端末を絶縁処理する事。

MATERIAL		HARDNESS		HEAT TREATMENT		SURFACE TREATMENT	
3RD ANGLE PROJECTION		APPROVED		TITLE		スイッチボックス(3個仕様)	
SCALE		CHECKED		型式: SAAF-3D-H			
1:1		DRAWN		NAME	DATE		
MISUMI Corporation						DWG.No. SAAF-3D-H-0	