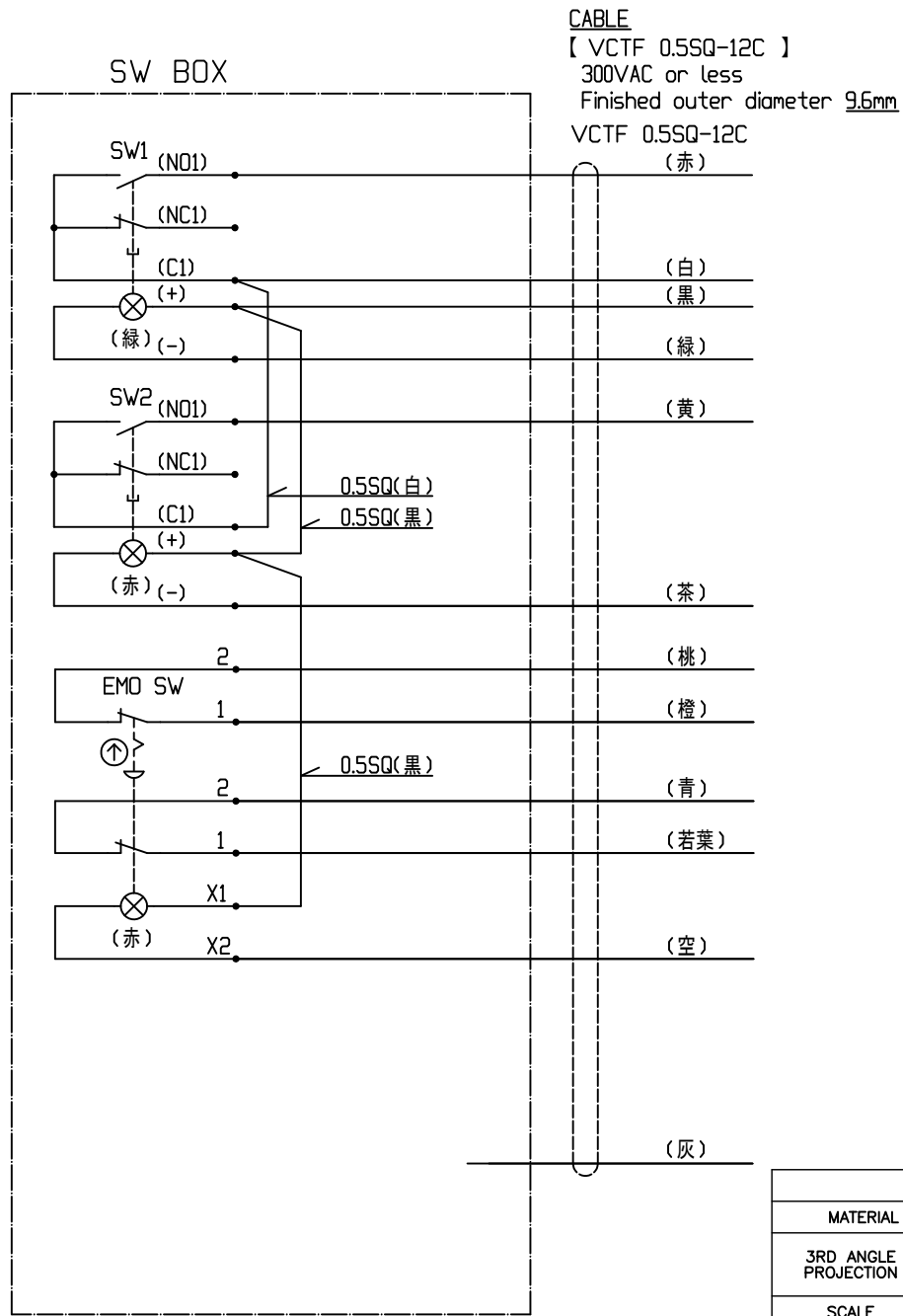


TOLERANCING SYMBOL JIS B 0021
STRAIGHTNESS
FLATNESS
CIRCULARITY
CYLINDRICITY
LINE PROFILE
SURFACE PROFILE
PARALLELISM
PERPENDICULARITY
ANGULARITY
POSITION
CONCENTRICITY
SYMMETRY
CIRCULAR RUNOUT

**SW1**  
 【AL6M-M14G】  
 (1)SW RATING (抵抗負荷時)  
 AC110V 1A  
 AC220V 0.5A  
 DC24V 1A  
 (2)LED RATING  
 AC/DC24V 5mA  
 COLOR GREEN

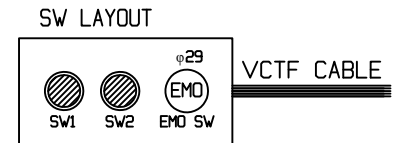
**SW2**  
 【AL6M-M14R】  
 (1)SW RATING (抵抗負荷時)  
 AC110V 1A  
 AC220V 0.5A  
 DC24V 1A  
 (2)LED RATING  
 AC/DC24V 5mA  
 COLOR RED

**EMO SW**  
 【XA1E-LV302Q4R】  
 SIZE φ29  
 (1)SW RATING  
 AC125V 3A  
 AC250V 3A  
 DC30V 2A  
 (2)LED RATING  
 AC/DC24V 11mA  
 COLOR RED



(注記)  
 未使用の電線は末端を絶縁処理する事。

REVISION				
MARK	DESCRIPTION	DATE	REVISED	APPROVED



CABLE LENGTH : 1m

COMMON TOLERANCE	
OVER 0.5 UP TO 6mm	±0.1
OVER 6 UP TO 30mm	±0.2
OVER 30 UP TO 120mm	±0.3
OVER 120 UP TO 400mm	±0.5
TOLERANCE OF ANGLE	±0.5

MATERIAL		HARDNESS		HEAT TREATMENT		SURFACE TREATMENT	
3RD ANGLE PROJECTION	APPROVED			TITLE スイッチボックス(3個仕様) 型式: SAAF-3D-E			
	CHECKED						
SCALE 1:1	DRAWN			NAME	DATE	DWG.No. SAAF-3D-E-0	
	MISUMI Corporation						