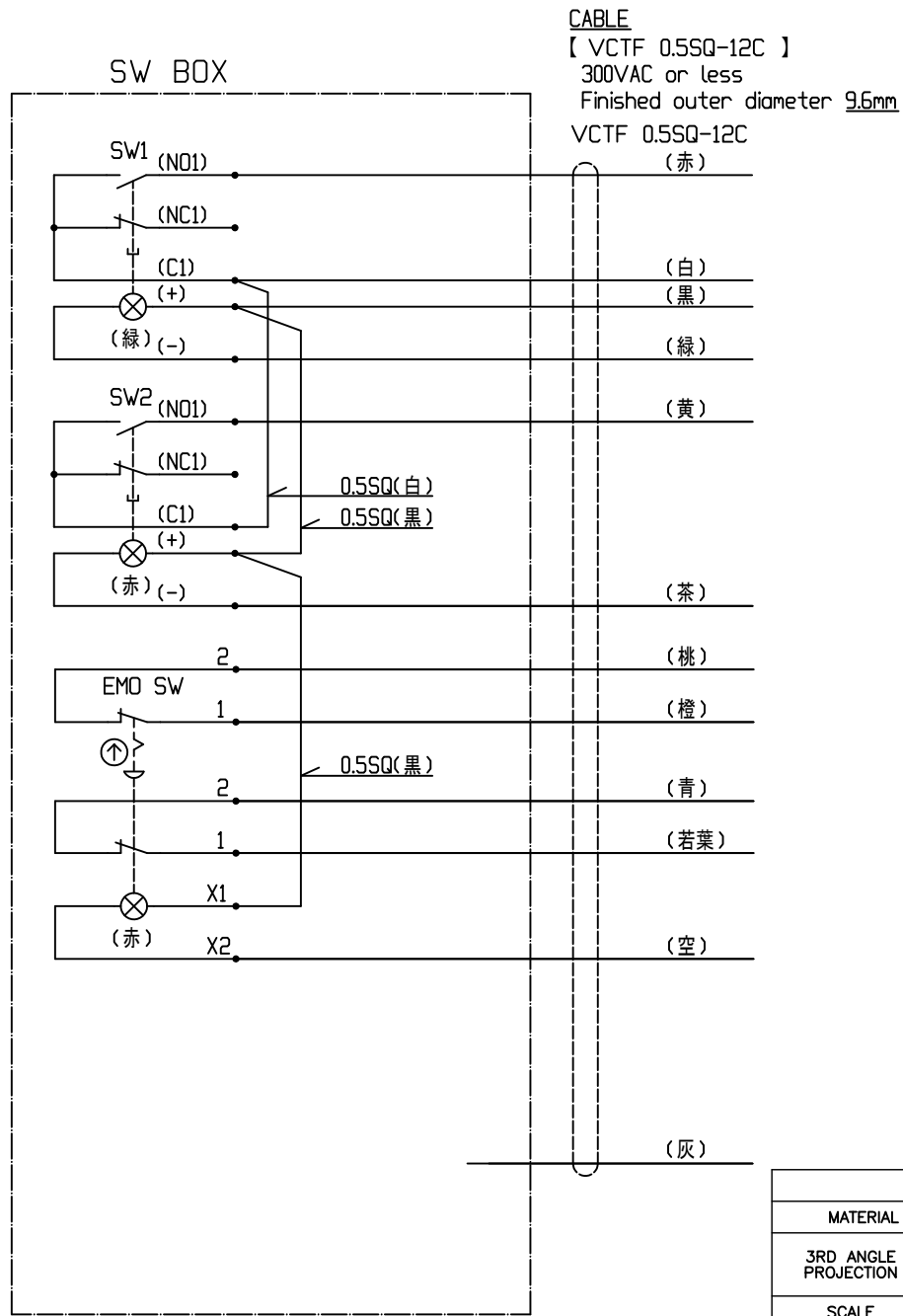


|                                  |
|----------------------------------|
| TOLERANCING SYMBOL<br>JIS B 0021 |
| STRAIGHTNESS                     |
| FLATNESS                         |
| CIRCULARITY                      |
| CYLINDRICITY                     |
| LINE PROFILE                     |
| SURFACE PROFILE                  |
| PARALLELISM                      |
| PERPENDICULARITY                 |
| ANGULARITY                       |
| POSITION                         |
| CONCENTRICITY                    |
| SYMMETRY                         |
| CIRCULAR RUNOUT                  |

**SW1**  
 【AL6H-M14G】  
 (1)SW RATING (抵抗負荷時)  
 AC110V 1A  
 AC220V 0.5A  
 DC24V 1A  
 (2)LED RATING  
 AC/DC24V 5mA  
 COLOR GREEN

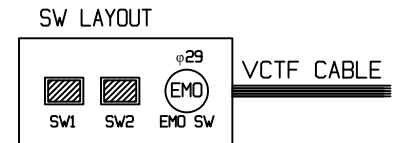
**SW2**  
 【AL6H-M14R】  
 (1)SW RATING (抵抗負荷時)  
 AC110V 1A  
 AC220V 0.5A  
 DC24V 1A  
 (2)LED RATING  
 AC/DC24V 5mA  
 COLOR RED

**EMO SW**  
 【XA1E-LV302Q4R】  
 SIZE φ29  
 (1)SW RATING  
 AC125V 3A  
 AC250V 3A  
 DC30V 2A  
 (2)LED RATING  
 AC/DC24V 11mA  
 COLOR RED



(注記)  
 未使用の電線は端末を絶縁処理する事。

| REVISION |             |      |         |          |
|----------|-------------|------|---------|----------|
| MARK     | DESCRIPTION | DATE | REVISED | APPROVED |
|          |             |      |         |          |
|          |             |      |         |          |
|          |             |      |         |          |



CABLE LENGTH : 1m

| COMMON TOLERANCE        |      |
|-------------------------|------|
| OVER 0.5<br>UP TO 6mm   | ±0.1 |
| OVER 6<br>UP TO 30mm    | ±0.2 |
| OVER 30<br>UP TO 120mm  | ±0.3 |
| OVER 120<br>UP TO 400mm | ±0.5 |
| TOLERANCE<br>OF ANGLE   | ±0.5 |

| MATERIAL             |          | HARDNESS |      | HEAT TREATMENT |  | SURFACE TREATMENT      |  |
|----------------------|----------|----------|------|----------------|--|------------------------|--|
| 3RD ANGLE PROJECTION | APPROVED |          |      | TITLE          |  |                        |  |
|                      | CHECKED  |          |      | スイッチボックス(3個仕様) |  |                        |  |
| SCALE                | DRAWN    |          |      | 型式: SAAF-3D-D  |  |                        |  |
| 1:1                  |          | NAME     | DATE |                |  |                        |  |
| MISUMI Corporation   |          |          |      |                |  | DWG.No.<br>SAAF-3D-D-0 |  |