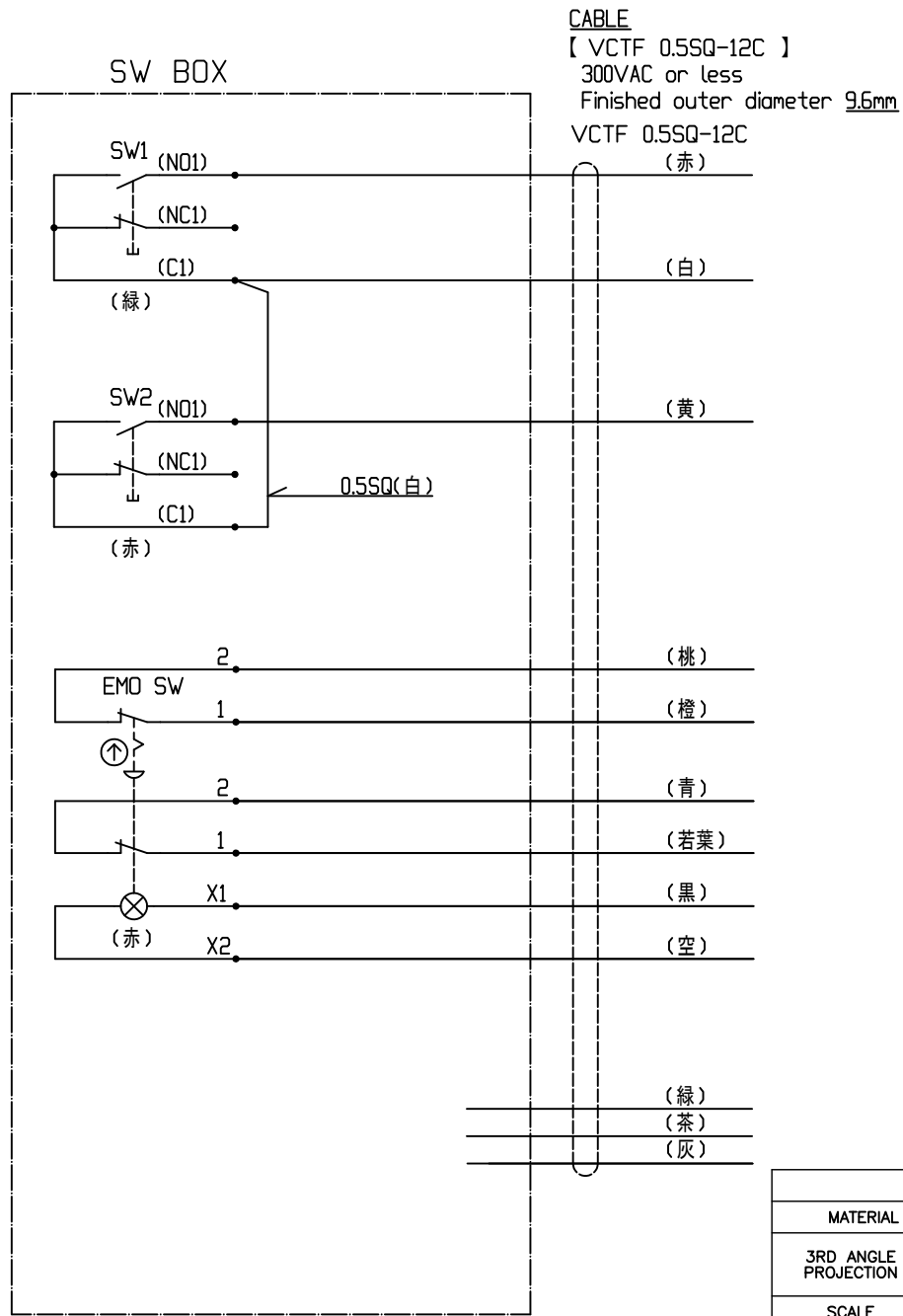


TOLERANCING SYMBOL	JIS B 0021
STRAIGHTNESS	—
FLATNESS	□
CIRCULARITY	○
CYLINDRICITY	⊗
LINE PROFILE	⌒
SURFACE PROFILE	⌒
PARALLELISM	∥
PERPENDICULARITY	⊥
ANGULARITY	∠
POSITION	⊕
CONCENTRICITY	⊙
SYMMETRY	≡
CIRCULAR RUNOUT	↻

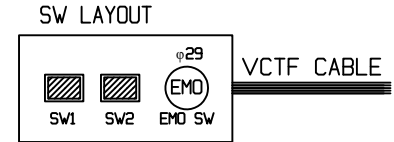
SW1
 【AB6H-M1G】
 (1)SW RATING (抵抗負荷時)
 AC110V 1A
 AC220V 0.5A
 DC24V 1A
 COLOR GREEN

SW2
 【AB6H-M1R】
 (1)SW RATING (抵抗負荷時)
 AC110V 1A
 AC220V 0.5A
 DC24V 1A
 COLOR RED

EMO SW
 【XA1E-LV302Q4R】
 SIZE φ29
 (1)SW RATING
 AC125V 3A
 AC250V 3A
 DC30V 2A
 (2)LED RATING
 AC/DC24V 11mA
 COLOR RED



REVISION				
MARK	DESCRIPTION	DATE	REVISED	APPROVED



CABLE LENGTH : 1m

COMMON TOLERANCE	
OVER 0.5 UP TO 6mm	±0.1
OVER 6 UP TO 30mm	±0.2
OVER 30 UP TO 120mm	±0.3
OVER 120 UP TO 400mm	±0.5
TOLERANCE OF ANGLE	±0.5

(注記)
 未使用の電線は末端を絶縁処理する事。

MATERIAL		HARDNESS		HEAT TREATMENT		SURFACE TREATMENT	
3RD ANGLE PROJECTION	APPROVED			TITLE スイッチボックス(3個仕様) 型式: SAAF-3D-C			
	CHECKED						
SCALE 1:1	DRAWN			NAME	DATE	DWG.No. SAAF-3D-C-0	
MISUMI Corporation							