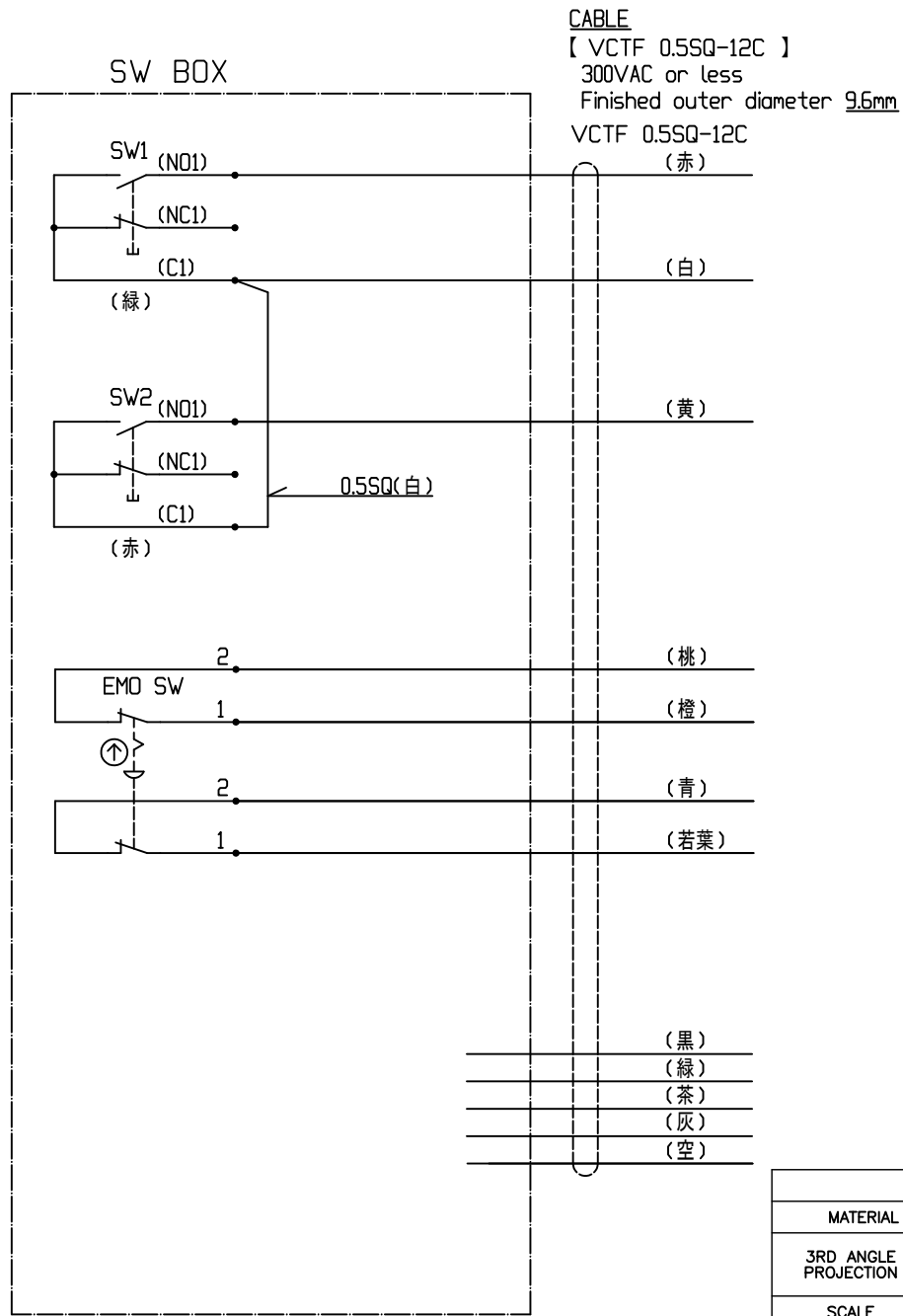


TOLERANCING SYMBOL JIS B 0021
STRAIGHTNESS
FLATNESS
CIRCULARITY
CYLINDRICITY
LINE PROFILE
SURFACE PROFILE
PARALLELISM
PERPENDICULARITY
ANGULARITY
POSITION
CONCENTRICITY
SYMMETRY
CIRCULAR RUNOUT

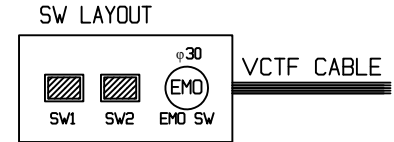
SW1
【AB6H-M1G】
(1)SW RATING (抵抗負荷時)
AC110V 1A
AC220V 0.5A
DC24V 1A
COLOR GREEN

SW2
【AB6H-M1R】
(1)SW RATING (抵抗負荷時)
AC110V 1A
AC220V 0.5A
DC24V 1A
COLOR RED

EMO SW
【AB6E-3BV02PRH】
SIZE φ30
(1)SW RATING (抵抗負荷時)
AC125V 5A
AC250V 3A
DC30V 2A
COLOR RED



REVISION				
MARK	DESCRIPTION	DATE	REVISED	APPROVED



CABLE LENGTH : 1m

COMMON TOLERANCE	
OVER 0.5 UP TO 6mm	±0.1
OVER 6 UP TO 30mm	±0.2
OVER 30 UP TO 120mm	±0.3
OVER 120 UP TO 400mm	±0.5
TOLERANCE OF ANGLE	±0.5

(注記)
未使用の電線は端末を絶縁処理する事。

MATERIAL		HARDNESS		HEAT TREATMENT		SURFACE TREATMENT	
3RD ANGLE PROJECTION		APPROVED		TITLE		スイッチボックス(3個仕様)	
SCALE 1:1		CHECKED		型式: SAAF-3D-A			
		DRAWN		NAME	DATE		
MISUMI Corporation					DWG.No. SAAF-3D-A-0		