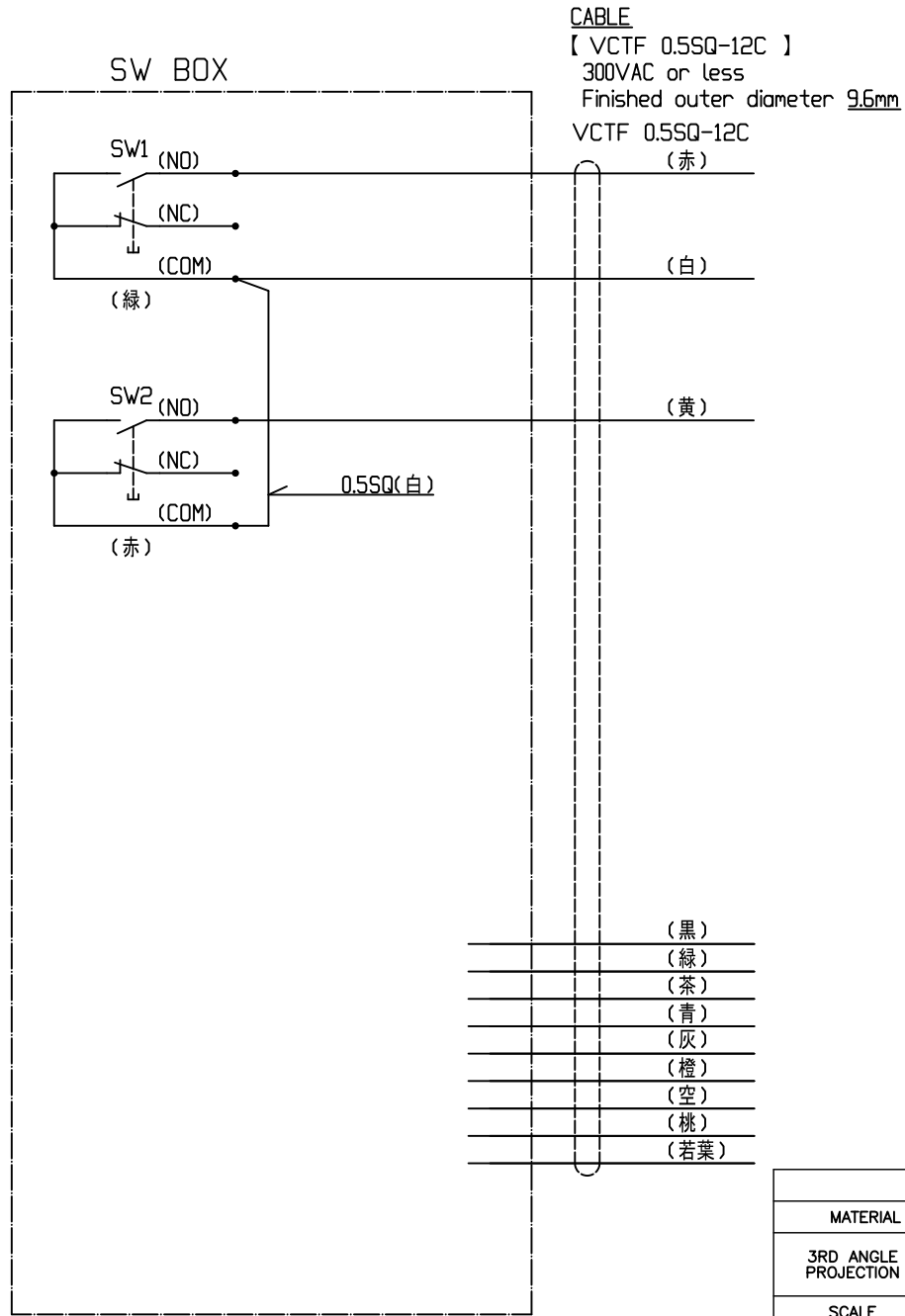


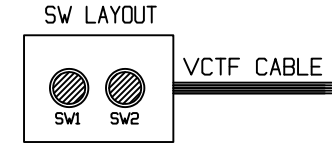
TOLERANCING SYMBOL JIS B 0021
STRAIGHTNESS
FLATNESS
CIRCULARITY
CYLINDRICITY
LINE PROFILE
SURFACE PROFILE
PARALLELISM
PERPENDICULARITY
ANGULARITY
POSITION
CONCENTRICITY
SYMMETRY
CIRCULAR RUNOUT

SW1
 【A16-TGM-1】
 (1)SW RATING
 AC125V 5A
 AC250V 3A
 DC30V 3A
 COLOR GREEN

SW2
 【A16-TRM-1】
 (1)SW RATING
 AC125V 5A
 AC250V 3A
 DC30V 3A
 COLOR RED



REVISION				
MARK	DESCRIPTION	DATE	REVISED	APPROVED



CABLE LENGTH : 1m

COMMON TOLERANCE	
OVER 0.5 UP TO 6mm	±0.1
OVER 6 UP TO 30mm	±0.2
OVER 30 UP TO 120mm	±0.3
OVER 120 UP TO 400mm	±0.5
TOLERANCE OF ANGLE	±0.5

MATERIAL		HARDNESS		HEAT TREATMENT		SURFACE TREATMENT	
3RD ANGLE PROJECTION		APPROVED		TITLE		スイッチボックス(2個仕様)	
SCALE		CHECKED		型式: SAAF-2R-E			
1:1		DRAWN		NAME	DATE		
MISUMI Corporation					DWG.No. SAAF-2R-E-0		