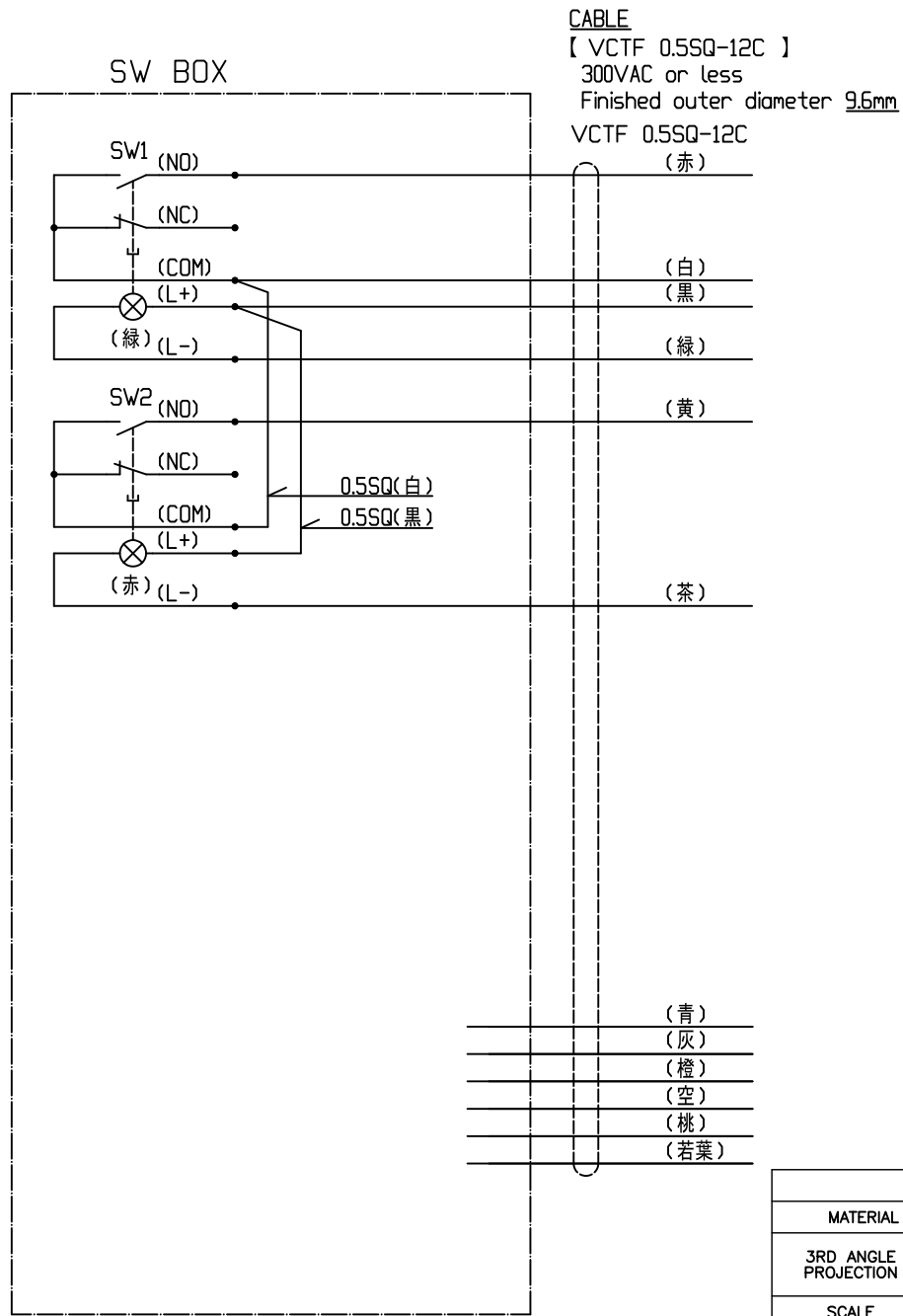


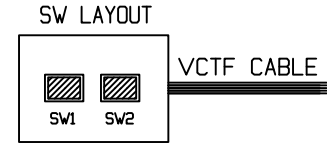
TOLERANCING SYMBOL JIS B 0021
STRAIGHTNESS
FLATNESS
CIRCULARITY
CYLINDRICITY
LINE PROFILE
SURFACE PROFILE
PARALLELISM
PERPENDICULARITY
ANGULARITY
POSITION
CONCENTRICITY
SYMMETRY
CIRCULAR RUNOUT

SW1
 【A16L-JGM-24D-1】
 (1)SW RATING
 AC125V 5A
 AC250V 3A
 DC30V 3A
 (2)LED RATING
 AC/DC24V 8mA
 COLOR GREEN

SW2
 【A16L-JRM-24D-1】
 (1)SW RATING
 AC125V 5A
 AC250V 3A
 DC30V 3A
 (2)LED RATING
 AC/DC24V 8mA
 COLOR RED



REVISION				
MARK	DESCRIPTION	DATE	REVISED	APPROVED



CABLE LENGTH : 1m

COMMON TOLERANCE	
OVER 0.5 UP TO 6mm	±0.1
OVER 6 UP TO 30mm	±0.2
OVER 30 UP TO 120mm	±0.3
OVER 120 UP TO 400mm	±0.5
TOLERANCE OF ANGLE	±0.5

- (青)
- (灰)
- (橙)
- (空)
- (桃)
- (若葉)

(注記)
 未使用の電線は末端を絶縁処理する事。

MATERIAL		HARDNESS		HEAT TREATMENT		SURFACE TREATMENT	
3RD ANGLE PROJECTION	APPROVED			TITLE スイッチボックス(2個仕様) 型式: SAAF-2R-D			
	CHECKED						
SCALE 1:1	DRAWN			NAME	DATE	DWG.No. SAAF-2R-D-0	
	MISUMI Corporation						