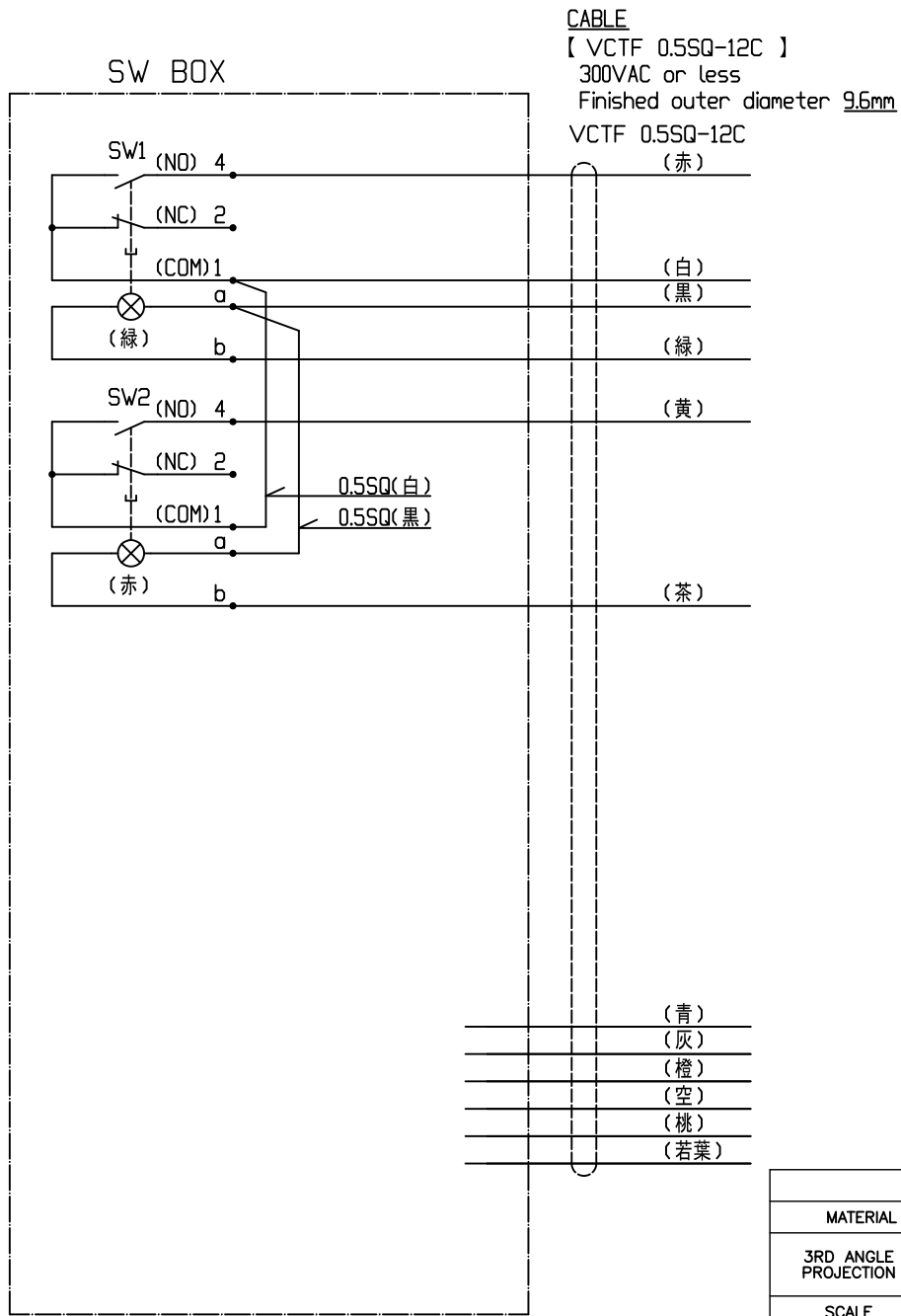


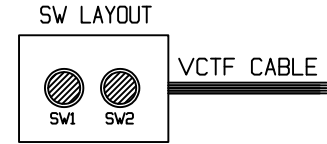
| | |
|--------------------|------------|
| TOLERANCING SYMBOL | JIS B 0021 |
| STRAIGHTNESS | — |
| FLATNESS | ▭ |
| CIRCULARITY | ○ |
| CYLINDRICITY | ⊗ |
| LINE PROFILE | ⤴ |
| SURFACE PROFILE | ⤴ |
| PARALLELISM | ∥ |
| PERPENDICULARITY | ⊥ |
| ANGULARITY | ∠ |
| POSITION | ⊕ |
| CONCENTRICITY | ⊙ |
| SYMMETRY | ≡ |
| CIRCULAR RUNOUT | ↻ |

SW1
 [ARI6E0L-C1E3G]
 (1)SW RATING (抵抗負荷時)
 AC120V 1.5A
 AC240V 1A
 DC24V 1A
 (2)LED RATING
 AC/DC24V 7.5mA
 COLOR GREEN

SW2
 [ARI6E0L-C1E3R]
 (1)SW RATING (抵抗負荷時)
 AC120V 1.5A
 AC240V 1A
 DC24V 1A
 (2)LED RATING
 AC/DC24V 7.5mA
 COLOR RED



| REVISION | | | | |
|----------|-------------|------|---------|----------|
| MARK | DESCRIPTION | DATE | REVISED | APPROVED |
| | | | | |
| | | | | |
| | | | | |



CABLE LENGTH : 1m

| COMMON TOLERANCE | |
|-------------------------|-------------|
| OVER 0.5 UP TO 6mm | ±0.1 |
| OVER 6 UP TO 30mm | ±0.2 |
| OVER 30 UP TO 120mm | ±0.3 |
| OVER 120 UP TO 400mm | ±0.5 |
| TOLERANCE OF ANGLE | ±0.5 |

- (青)
- (灰)
- (橙)
- (空)
- (桃)
- (若葉)

(注記)
 未使用の電線は末端を絶縁処理する事。

| MATERIAL | | HARDNESS | | HEAT TREATMENT | | SURFACE TREATMENT | |
|----------------------|----------|----------|--|--|------|------------------------|--|
| 3RD ANGLE PROJECTION | APPROVED | | | TITLE スイッチボックス(2個仕様) 型式: SAAF-2F-F | | | |
| | CHECKED | | | | | | |
| SCALE 1:1 | DRAWN | | | NAME | DATE | DWG.No. SAAF-2F-F-0 | |
| | | | | | | | |
| MISUMI Corporation | | | | | | | |