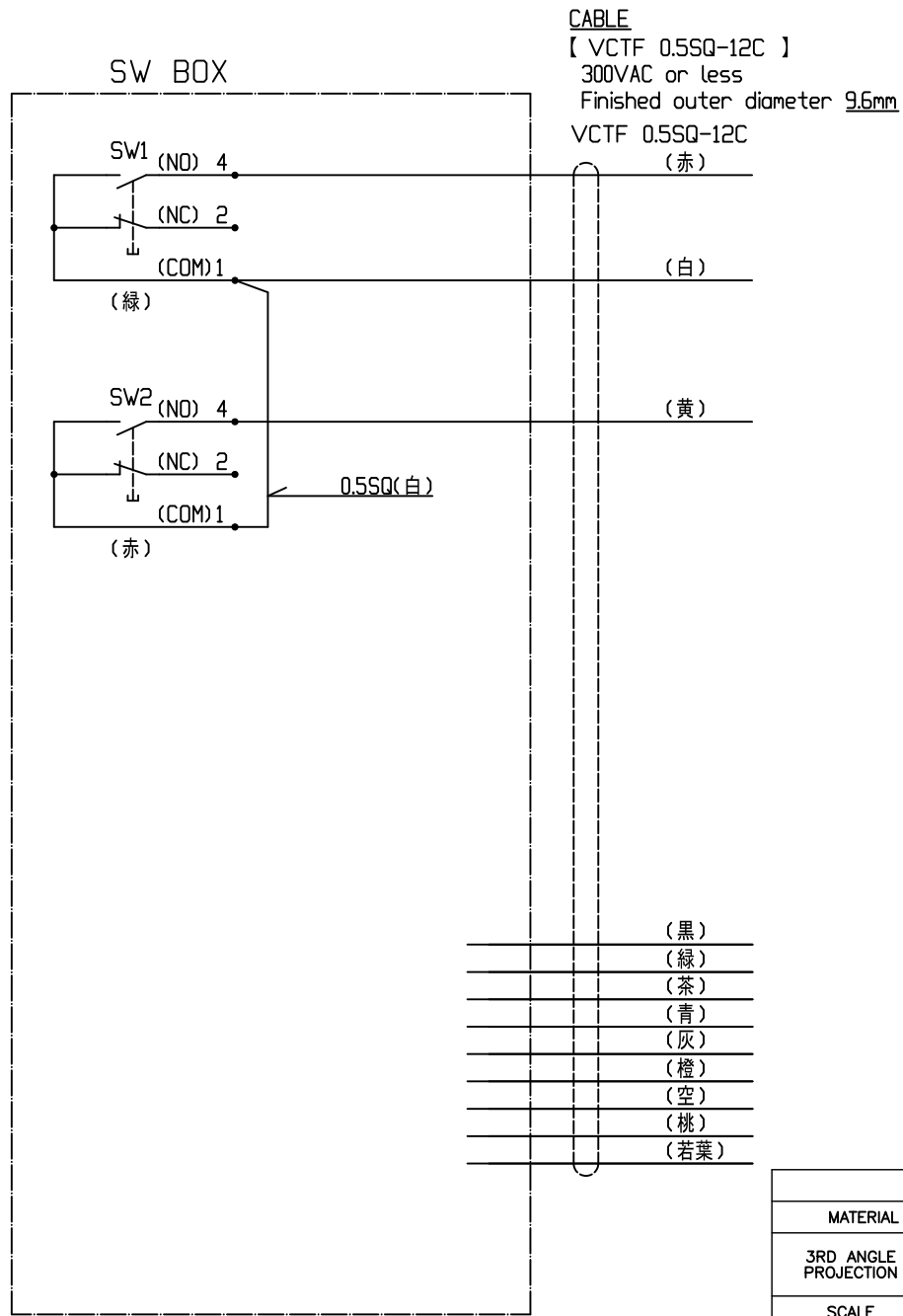


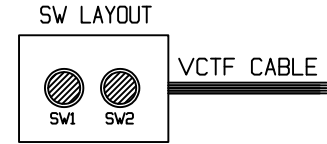
| |
|----------------------------------|
| TOLERANCING SYMBOL JIS B 0021 |
| STRAIGHTNESS |
| FLATNESS |
| CIRCULARITY |
| CYLINDRICITY |
| LINE PROFILE |
| SURFACE PROFILE |
| PARALLELISM |
| PERPENDICULARITY |
| ANGULARITY |
| POSITION |
| CONCENTRICITY |
| SYMMETRY |
| CIRCULAR RUNOUT |

SW1
[AR16E0R-C1G]
(1)SW RATING (抵抗負荷時)
AC120V 1.5A
AC240V 1A
DC24V 1A
COLOR GREEN

SW2
[AR16E0R-C1R]
(1)SW RATING (抵抗負荷時)
AC120V 1.5A
AC240V 1A
DC24V 1A
COLOR RED



| REVISION | | | | |
|----------|-------------|------|---------|----------|
| MARK | DESCRIPTION | DATE | REVISED | APPROVED |
| | | | | |
| | | | | |
| | | | | |



CABLE LENGTH : 1m

| COMMON TOLERANCE | |
|-------------------------|------|
| OVER 0.5 UP TO 6mm | ±0.1 |
| OVER 6 UP TO 30mm | ±0.2 |
| OVER 30 UP TO 120mm | ±0.3 |
| OVER 120 UP TO 400mm | ±0.5 |
| TOLERANCE OF ANGLE | ±0.5 |

| MATERIAL | | HARDNESS | | HEAT TREATMENT | | SURFACE TREATMENT | |
|----------------------|----------|----------|------|------------------------|--|-------------------|--|
| 3RD ANGLE PROJECTION | APPROVED | | | TITLE | | | |
| | CHECKED | | | スイッチボックス(2個仕様) | | | |
| SCALE | DRAWN | | | 型式: SAAF-2F-E | | | |
| 1:1 | | NAME | DATE | | | | |
| MISUMI Corporation | | | | DWG.No. SAAF-2F-E-0 | | | |