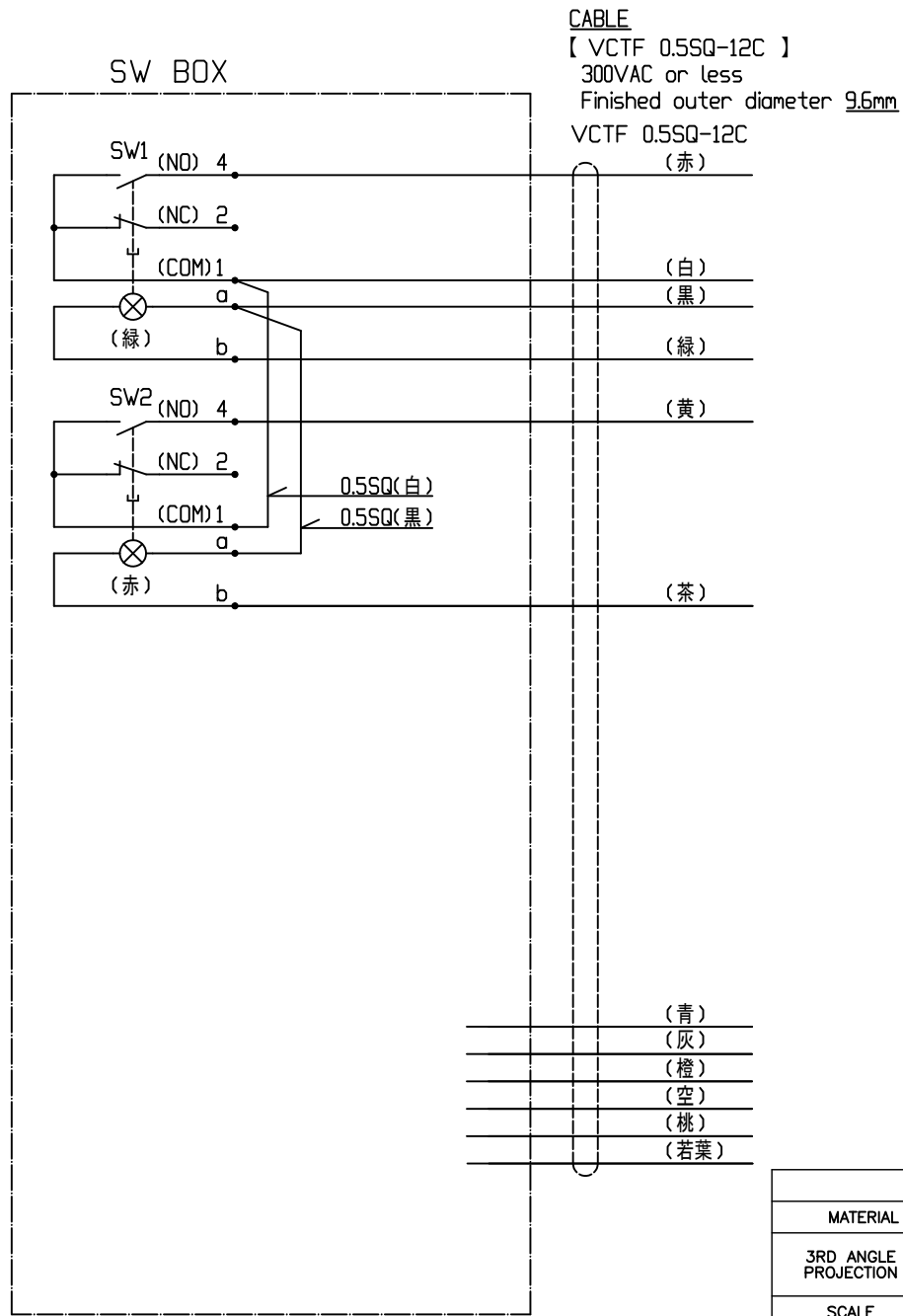


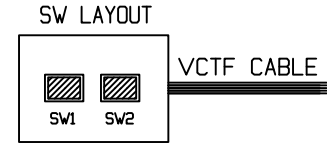
TOLERANCING SYMBOL JIS B 0021
STRAIGHTNESS
FLATNESS
CIRCULARITY
CYLINDRICITY
LINE PROFILE
SURFACE PROFILE
PARALLELISM
PERPENDICULARITY
ANGULARITY
POSITION
CONCENTRICITY
SYMMETRY
CIRCULAR RUNOUT

SW1
 [ARI6F0N-C1E3G]
 (1)SW RATING (抵抗負荷時)
 AC120V 1.5A
 AC240V 1A
 DC24V 1A
 (2)LED RATING
 AC/DC24V 7.5mA
 COLOR GREEN

SW2
 [ARI6F0N-C1E3R]
 (1)SW RATING (抵抗負荷時)
 AC120V 1.5A
 AC240V 1A
 DC24V 1A
 (2)LED RATING
 AC/DC24V 7.5mA
 COLOR RED



REVISION				
MARK	DESCRIPTION	DATE	REVISED	APPROVED



COMMON TOLERANCE	
OVER 0.5 UP TO 6mm	±0.1
OVER 6 UP TO 30mm	±0.2
OVER 30 UP TO 120mm	±0.3
OVER 120 UP TO 400mm	±0.5
TOLERANCE OF ANGLE	±0.5

MATERIAL		HARDNESS		HEAT TREATMENT		SURFACE TREATMENT	
3RD ANGLE PROJECTION	APPROVED			TITLE			
	CHECKED			スイッチボックス(2個仕様)			
SCALE	DRAWN			型式: SAAF-2F-D			
1:1		NAME	DATE				
MISUMI Corporation				DWG.No. SAAF-2F-D-0			