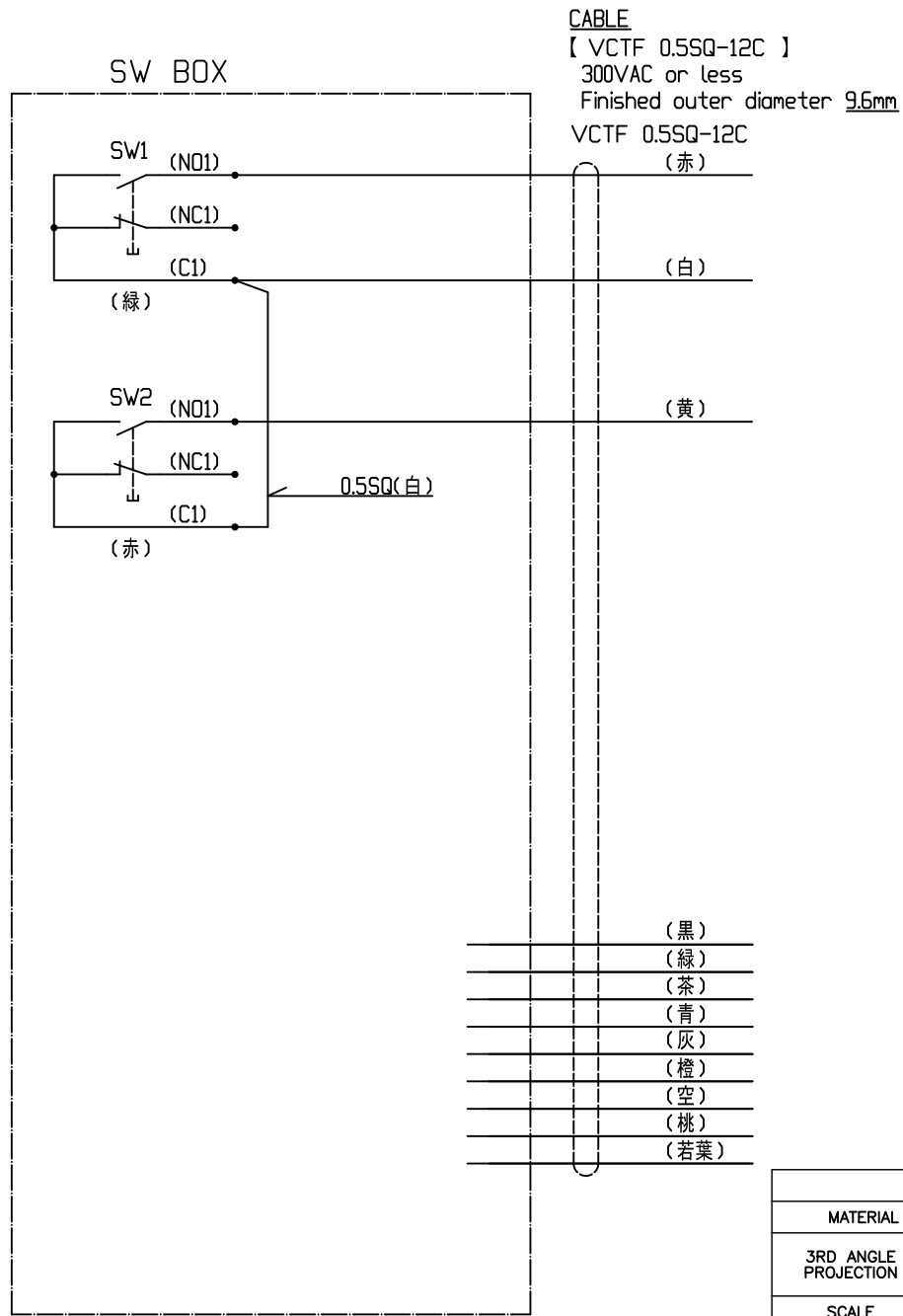


TOLERANCING SYMBOL JIS B 0021
STRAIGHTNESS
FLATNESS
CIRCULARITY
CYLINDRICITY
LINE PROFILE
SURFACE PROFILE
PARALLELISM
PERPENDICULARITY
ANGULARITY
POSITION
CONCENTRICITY
SYMMETRY
CIRCULAR RUNOUT

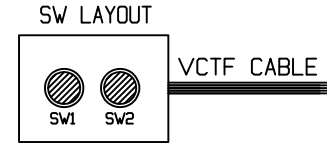
SW1
[AB6M-M1G]
(1)SW RATING (抵抗負荷時)
AC110V 1A
AC220V 0.5A
DC24V 1A
COLOR GREEN

SW2
[AB6M-M1R]
(1)SW RATING (抵抗負荷時)
AC110V 1A
AC220V 0.5A
DC24V 1A
COLOR RED



(注記)
未使用の電線は末端を絶縁処理する事。

REVISION				
MARK	DESCRIPTION	DATE	REVISED	APPROVED



CABLE LENGTH : 1m

COMMON TOLERANCE	
OVER 0.5 UP TO 6mm	±0.1
OVER 6 UP TO 30mm	±0.2
OVER 30 UP TO 120mm	±0.3
OVER 120 UP TO 400mm	±0.5
TOLERANCE OF ANGLE	±0.5

MATERIAL	HARDNESS	HEAT TREATMENT	SURFACE TREATMENT
3RD ANGLE PROJECTION	APPROVED		TITLE
	CHECKED		スイッチボックス(2個仕様)
SCALE	DRAWN		型式: SAAF-2D-F
1:1		NAME	DATE
MISUMI Corporation			DWG.No. SAAF-2D-F-0