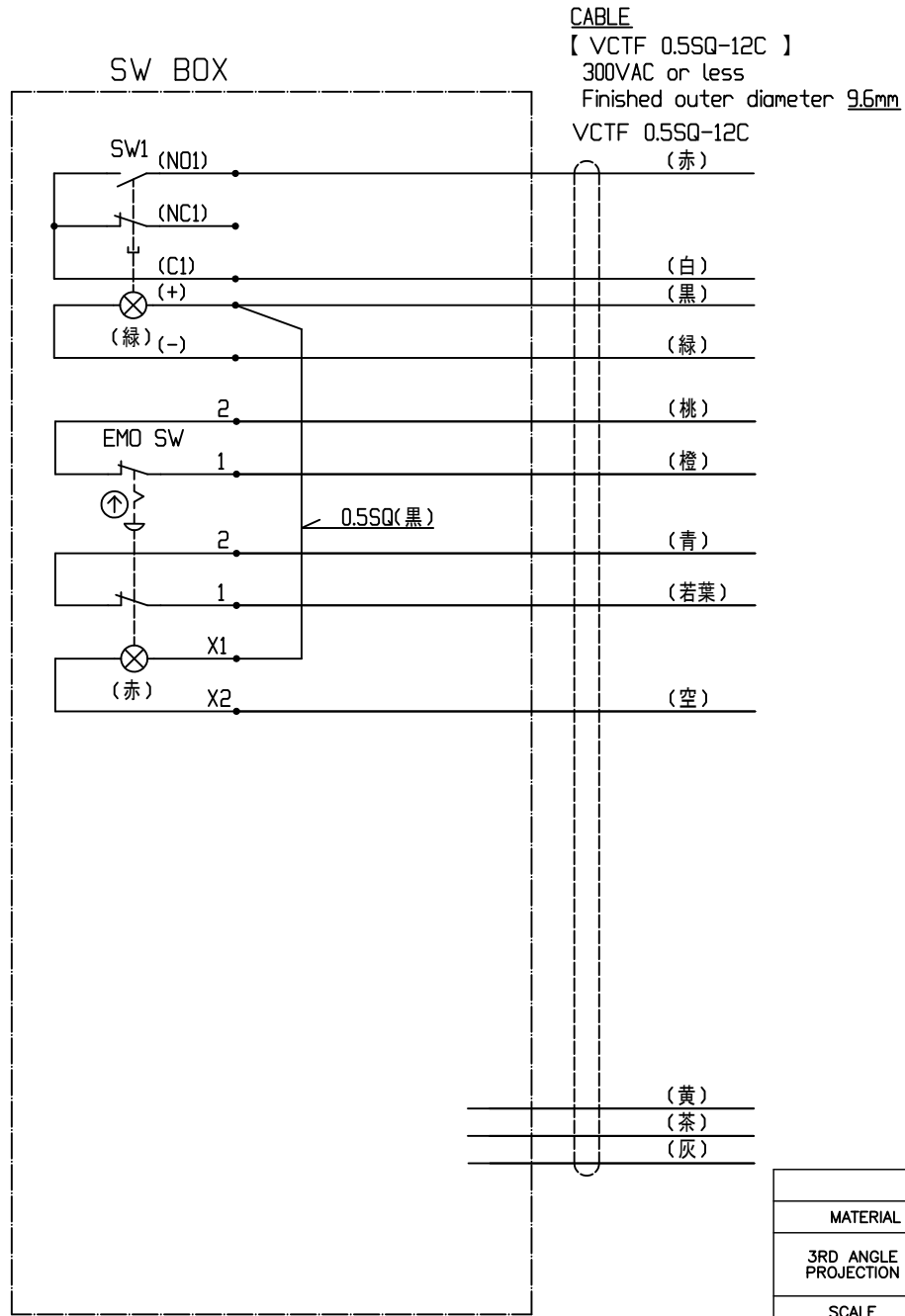


TOLERANCING SYMBOL JIS B 0021
STRAIGHTNESS
FLATNESS
CIRCULARITY
CYLINDRICITY
LINE PROFILE
SURFACE PROFILE
PARALLELISM
PERPENDICULARITY
ANGULARITY
POSITION
CONCENTRICITY
SYMMETRY
CIRCULAR RUNOUT

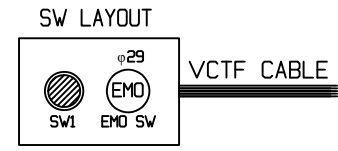
SW1
 【AL6M-M14G】
 (1)SW RATING (抵抗負荷時)
 AC110V 1A
 AC220V 0.5A
 DC24V 1A
 (2)LED RATING
 AC/DC24V 5mA
 COLOR GREEN

EMO SW
 【XA1E-LV302Q4R】
 SIZE φ29
 (1)SW RATING
 AC125V 3A
 AC250V 3A
 DC30V 2A
 (2)LED RATING
 AC/DC24V 11mA
 COLOR RED



(注記)
 未使用の電線は末端を絶縁処理する事。

REVISION				
MARK	DESCRIPTION	DATE	REVISED	APPROVED



CABLE LENGTH : 1m

COMMON TOLERANCE	
OVER 0.5 UP TO 6mm	±0.1
OVER 6 UP TO 30mm	±0.2
OVER 30 UP TO 120mm	±0.3
OVER 120 UP TO 400mm	±0.5
TOLERANCE OF ANGLE	±0.5

MATERIAL		HARDNESS		HEAT TREATMENT		SURFACE TREATMENT	
3RD ANGLE PROJECTION		APPROVED		TITLE		スイッチボックス(2個仕様)	
SCALE		CHECKED		型式: SAAF-2D-C			
1:1		DRAWN		NAME	DATE		
MISUMI Corporation					DWG.No. SAAF-2D-C-0		